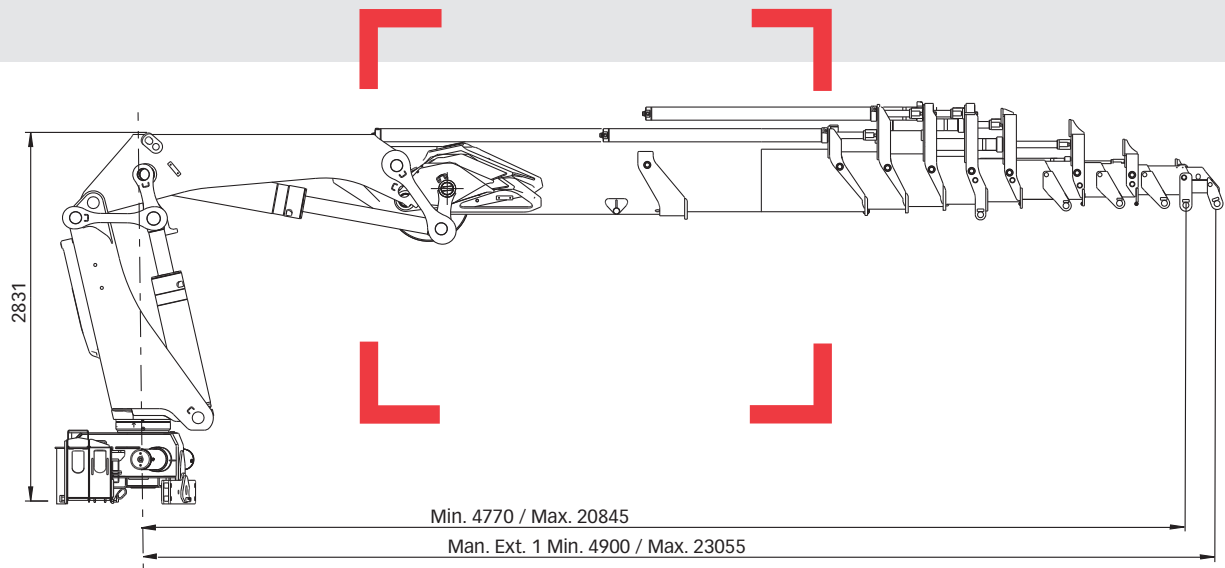
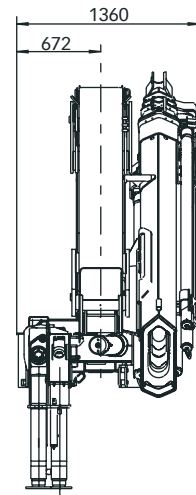
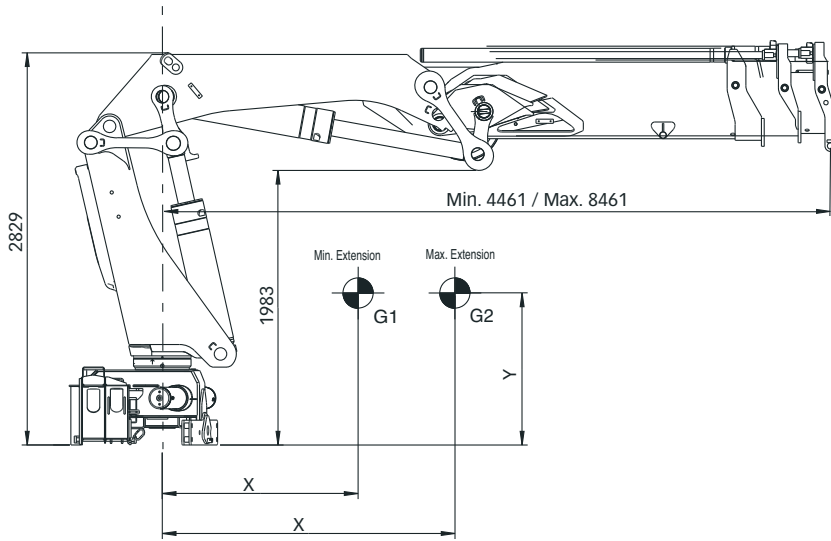


HIAB XS 422

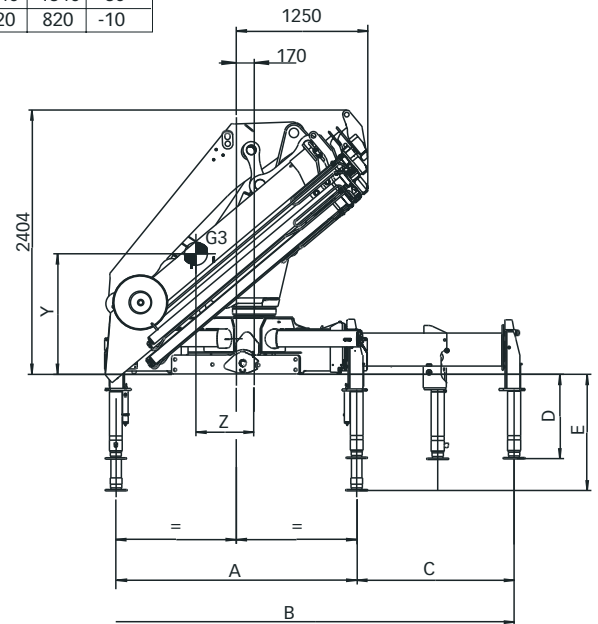
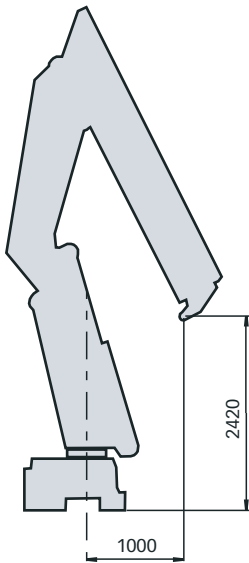


Technical data

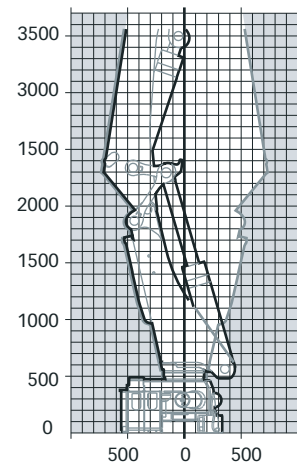
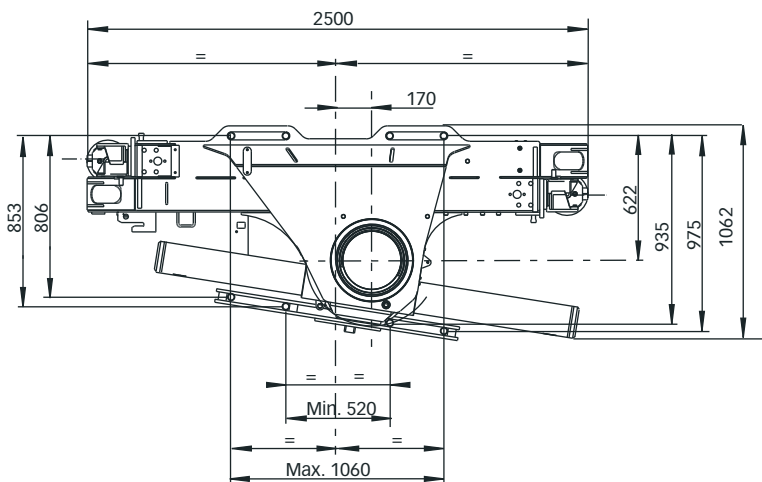
HIAB 422 EP-2

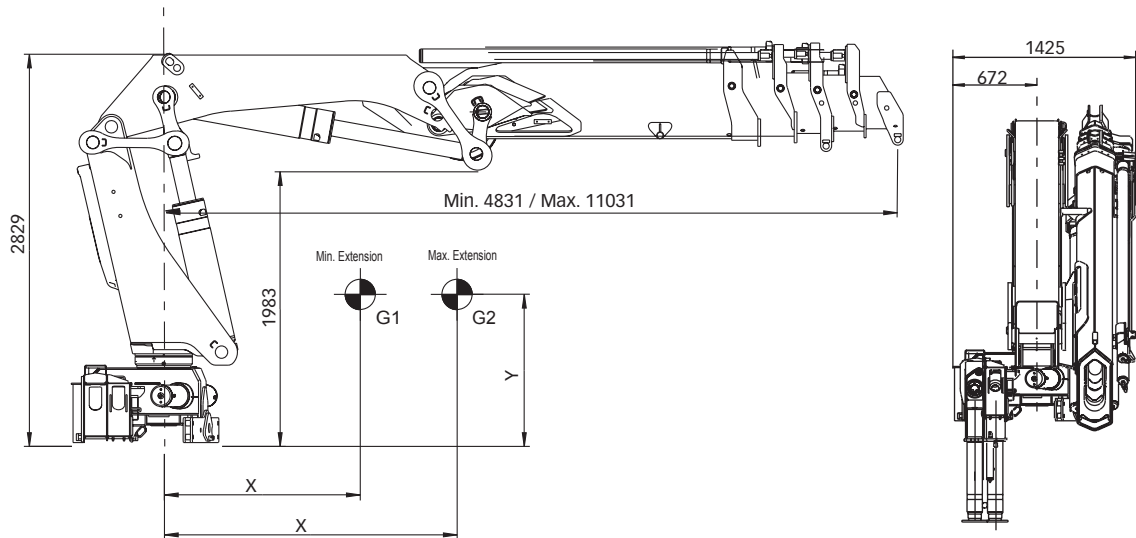


	Stab Man T 6.5 m			Stab Mecan T 6.5 m			Stab Man T 7.0 m			Stab Man T 8.0 m			Stab Mecan T 8.0 m		
	X	Y	Z	X	Y	Z	X	Y	Z	X	Y	Z	X	Y	Z
G1	850	1390	45	830	1370	40	840	1380	45	800	1360	35	780	1340	35
G2	1220	1390	45	1190	1370	40	1200	1380	45	1160	1360	35	1140	1340	35
G3	220	850	10	220	840	5	220	840	5	220	830	-5	220	820	-10

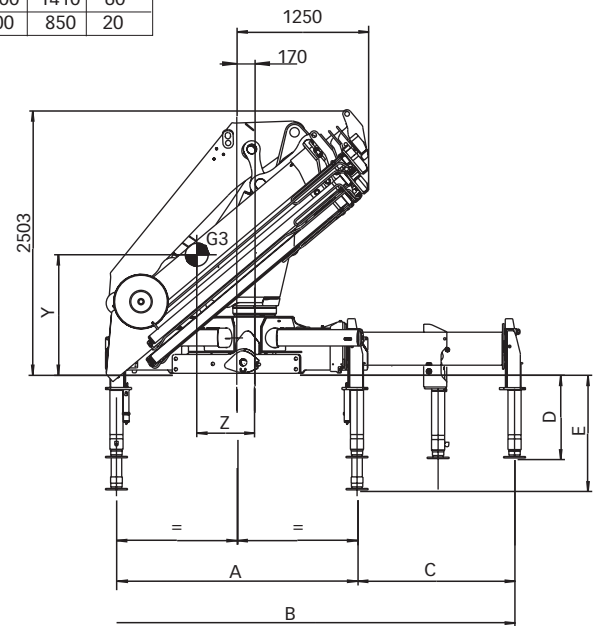
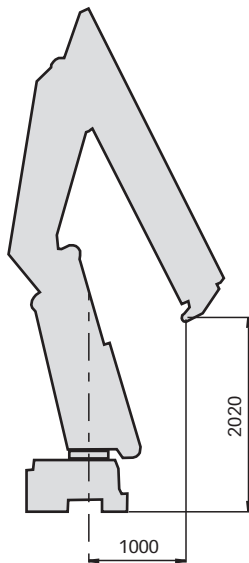


	Extensions 6.5 mts			Extensions 7 mts			Extensions 8 mts			Stabilizer cylinder L= 896		Stabilizer cylinder L= 1022	
	A	B	C	A	B	C	A	B	C	D	E	D	E
Fix outrigger legs	2280	6470	2095	2340	6980	2320	2280	7980	2850	804	1407	954	1557
Giratory outrigger legs	2290	6480	2095	-	-	2320	2290	7990	2850	804	1407	954	1557

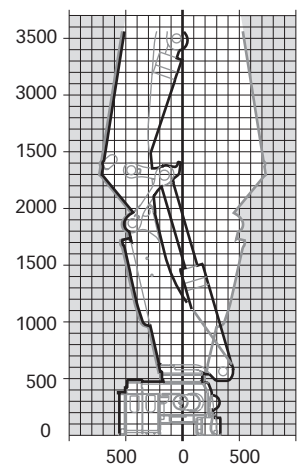
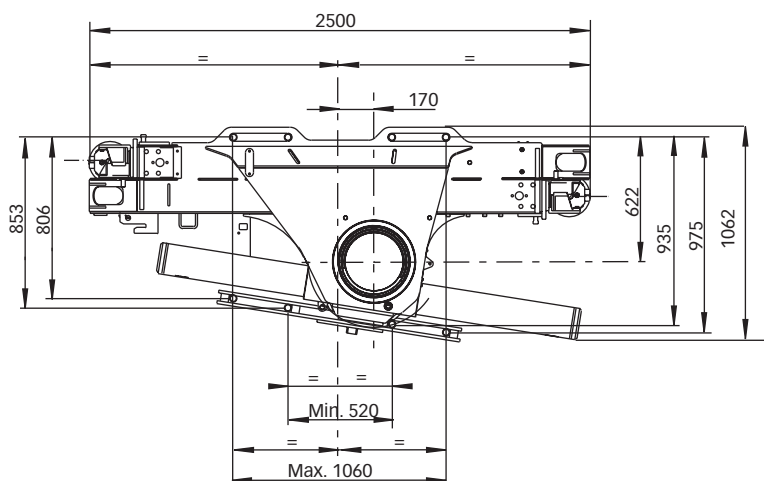




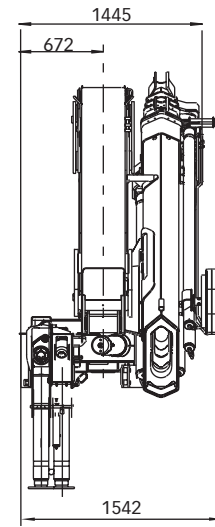
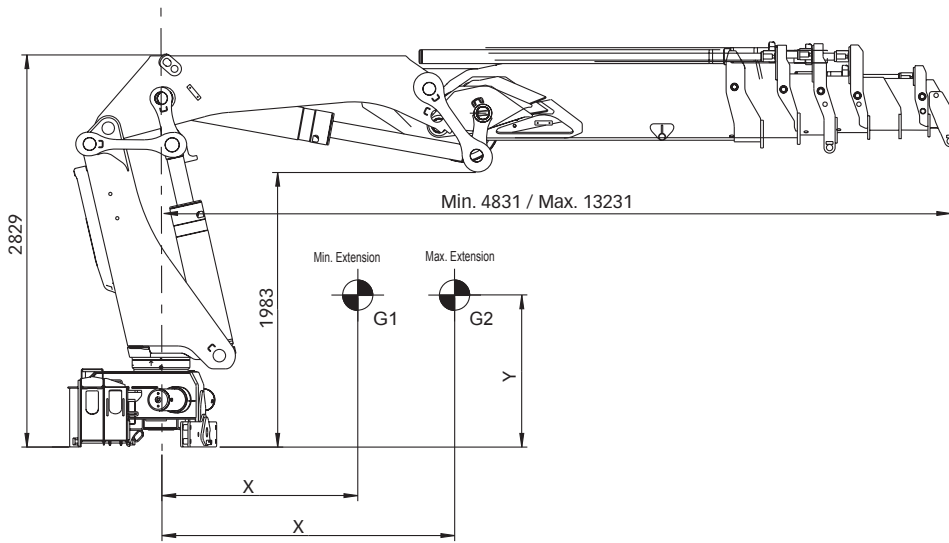
	Stab Man T 6.5 m			Stab Mecan T 6.5 m			Stab Man T 7.0 m			Stab Man T 8.0 m			Stab Mecan T 8.0 m		
	X	Y	Z	X	Y	Z	X	Y	Z	X	Y	Z	X	Y	Z
G1	1000	1460	70	980	1440	70	990	1450	70	950	1420	65	940	1410	60
G2	1700	1460	70	1670	1440	70	1690	1450	70	1630	1420	65	1600	1410	60
G3	205	880	40	200	870	35	200	870	35	200	860	25	200	850	20



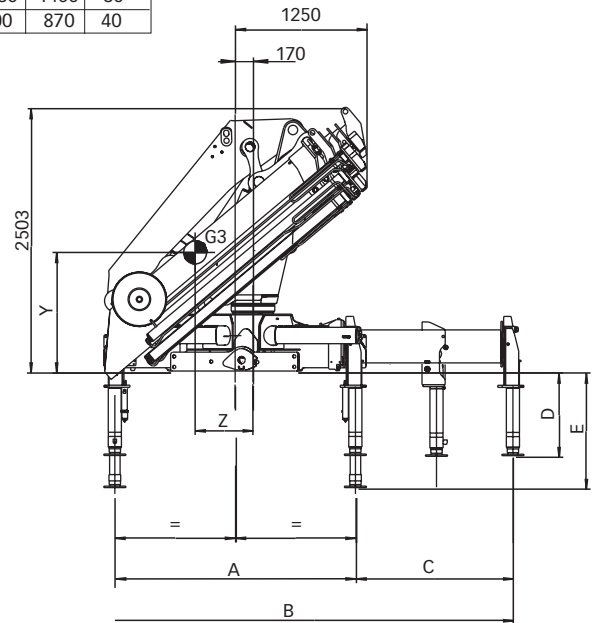
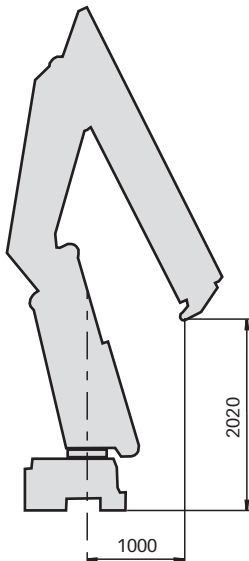
	Extensions 6.5 mts			Extensions 7 mts			Extensions 8 mts			Stabilizer cylinder L= 896		Stabilizer cylinder L= 1022	
	A	B	C	A	B	C	A	B	C	D	E	D	E
Fix outrigger legs	2280	6470	2095	2340	6980	2320	2280	7980	2850	804	1407	954	1557
Giratory outrigger legs	2290	6480	2095	-	-	2320	2290	7990	2850	804	1407	954	1557



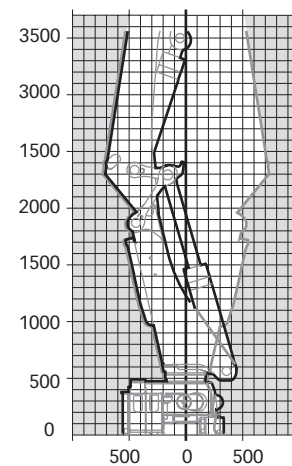
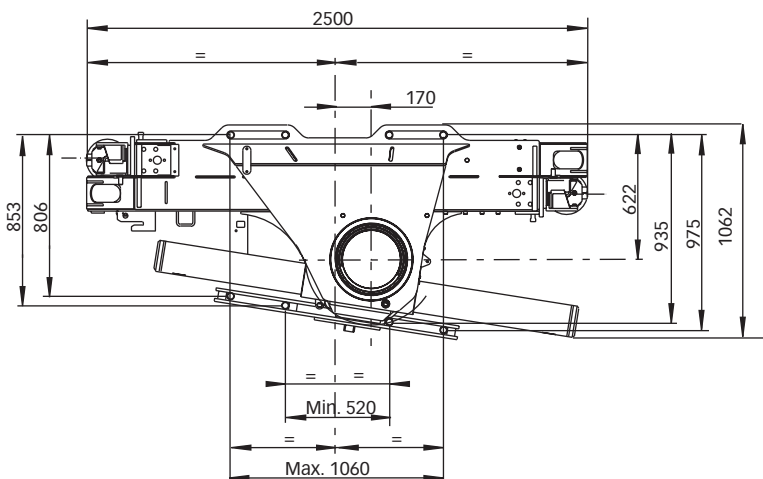
HIAB 422 EP-4



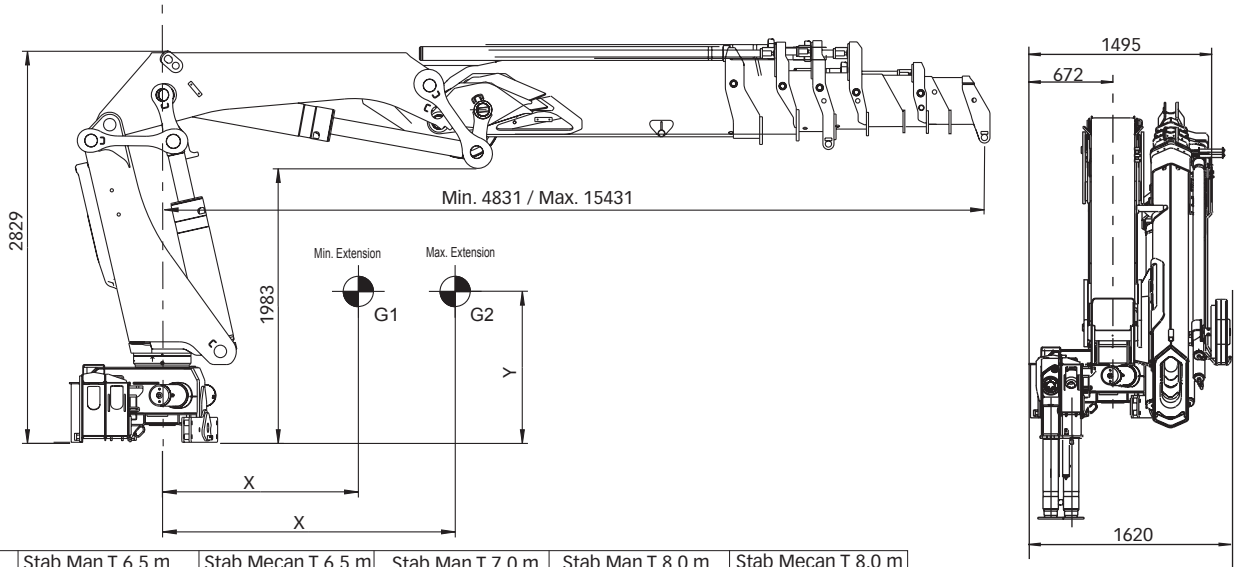
	Stab Man T 6.5 m			Stab Mecan T 6.5 m			Stab Man T 7.0 m			Stab Man T 8.0 m			Stab Mecan T 8.0 m		
	X	Y	Z	X	Y	Z	X	Y	Z	X	Y	Z	X	Y	Z
G1	1090	1500	90	1070	1480	90	1080	1490	90	1040	1470	80	1020	1450	80
G2	2090	1500	90	2060	1480	90	2070	1490	90	2010	1470	80	1980	1450	80
G3	200	890	60	200	880	55	200	890	55	200	880	45	200	870	40



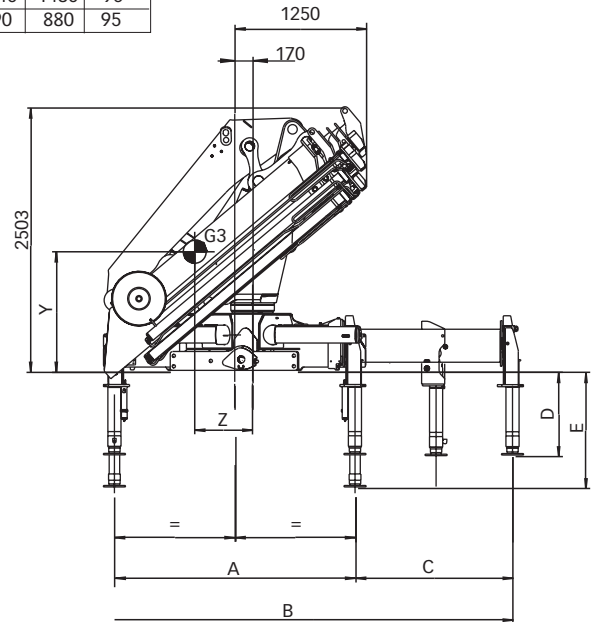
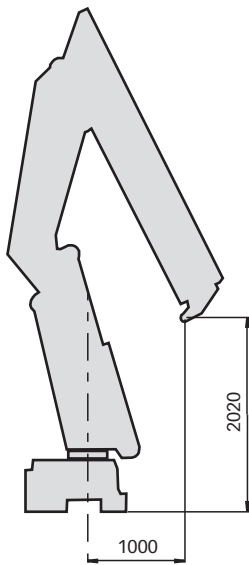
	Extensions 6.5 mts			Extensions 7 mts			Extensions 8 mts			Stabilizer cylinder L= 896		Stabilizer cylinder L= 1022	
	A	B	C	A	B	C	A	B	C	D	E	D	E
Fix outrigger legs	2280	6470	2095	2340	6980	2320	2280	7980	2850	804	1407	954	1557
Giratory outrigger legs	2290	6480	2095	-	-	2320	2290	7990	2850	804	1407	954	1557



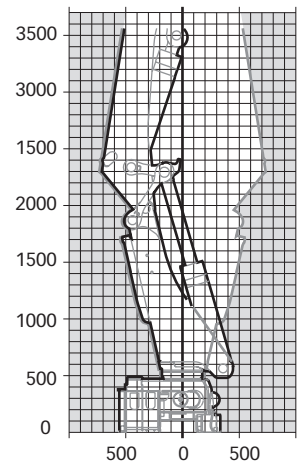
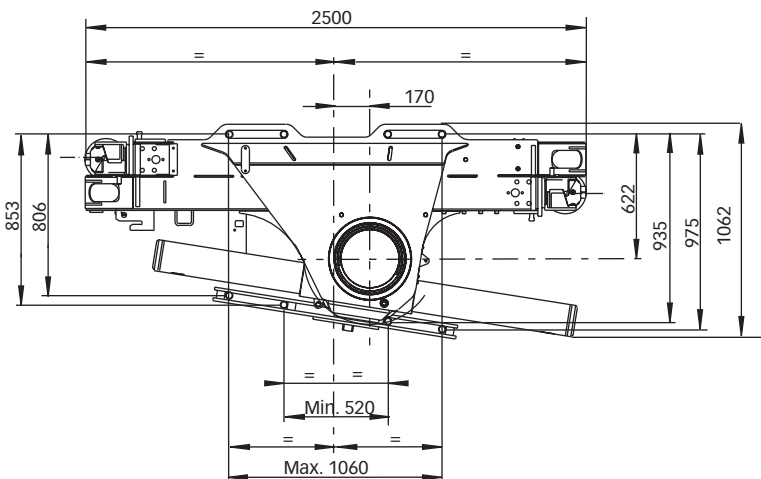
HIAB 422 EP-5



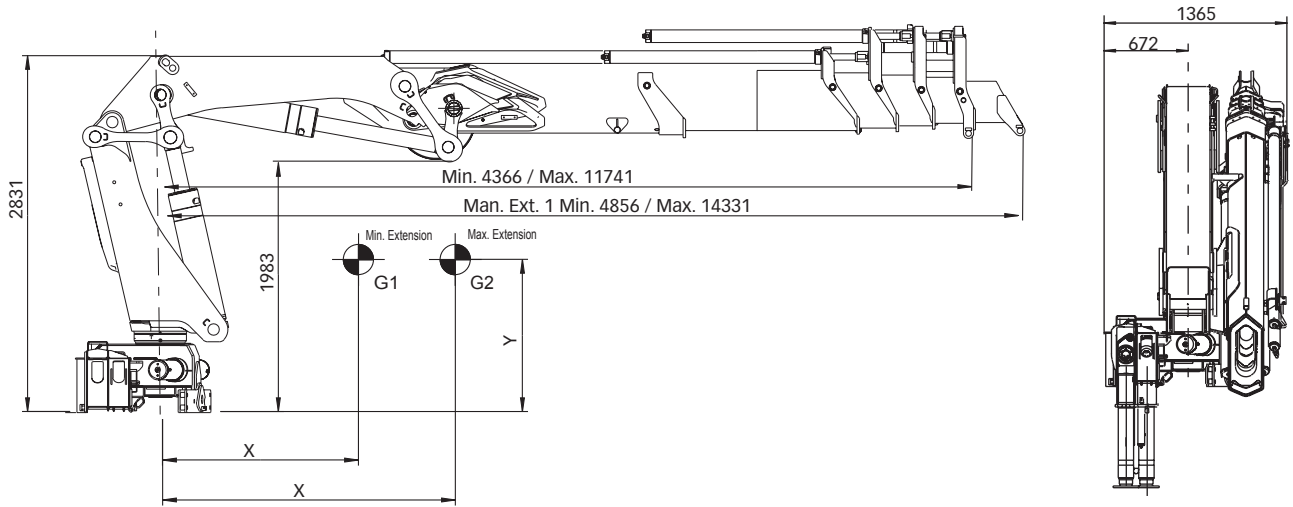
	Stab Man T 6.5 m			Stab Mecan T 6.5 m			Stab Man T 7.0 m			Stab Man T 8.0 m			Stab Mecan T 8.0 m		
	X	Y	Z	X	Y	Z	X	Y	Z	X	Y	Z	X	Y	Z
G1	1160	1530	105	1140	1520	105	1150	1530	105	1110	1500	95	1090	1480	95
G2	2460	1530	105	2430	1520	105	2440	1530	105	2370	1500	95	2340	1480	95
G3	190	910	75	190	900	70	190	910	110	190	890	60	190	880	95



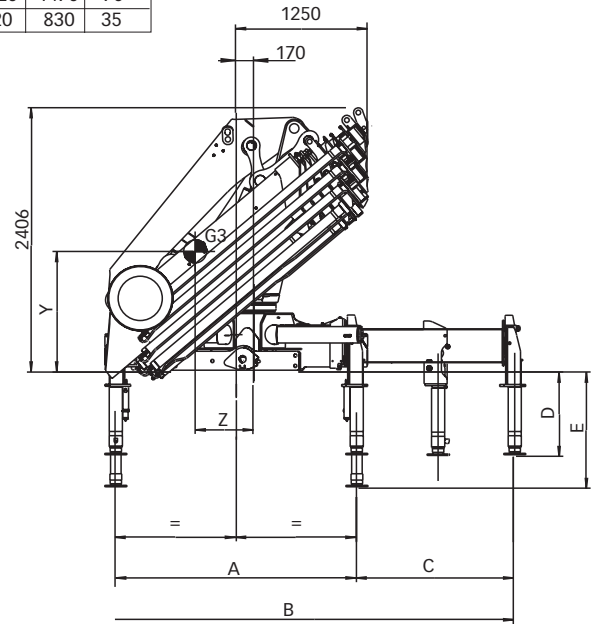
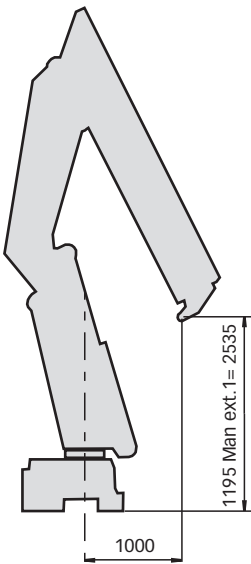
	Extensions 6.5 mts			Extensions 7 mts			Extensions 8 mts			Stabilizer cylinder L= 896		Stabilizer cylinder L= 1022	
	A	B	C	A	B	C	A	B	C	D	E	D	E
Fix outrigger legs	2280	6470	2095	2340	6980	2320	2280	7980	2850	804	1407	954	1557
Giratory outrigger legs	2290	6480	2095	-	-	2320	2290	7990	2850	804	1407	954	1557



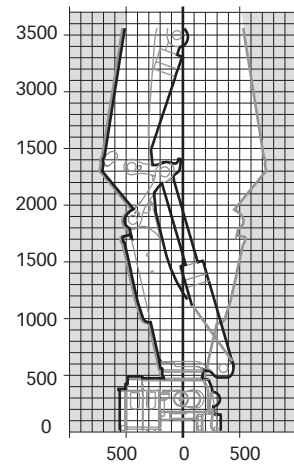
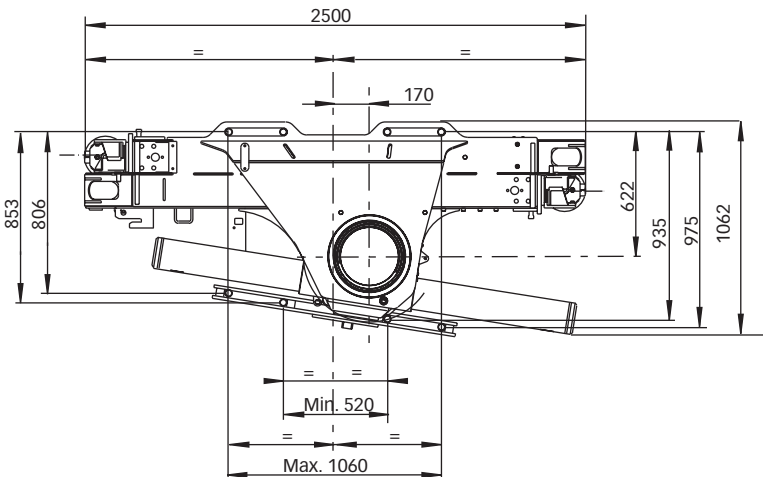
HIAB 422 E-4

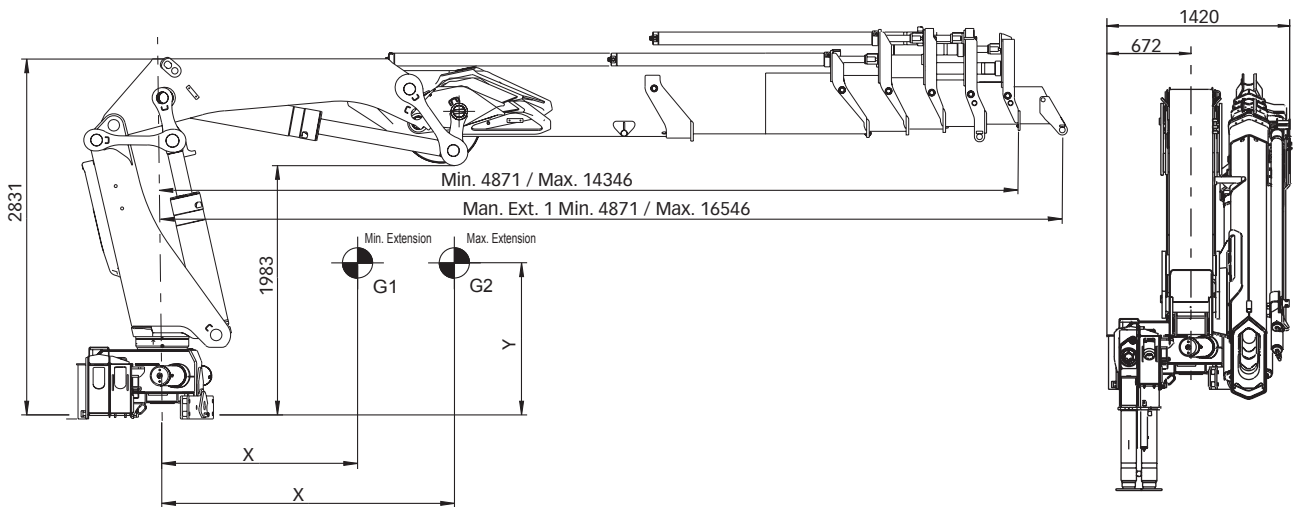


	Stab Man T 6.5 m			Stab Mecan T 6.5 m			Stab Man T 7.0 m			Stab Man T 8.0 m			Stab Mecan T 8.0 m		
	X	Y	Z	X	Y	Z	X	Y	Z	X	Y	Z	X	Y	Z
G1	1070	1530	85	1050	1510	80	1060	1520	85	1020	1490	80	1000	1470	75
G2	2030	1530	85	2000	1510	80	2010	1520	85	1950	1490	80	1920	1470	75
G3	230	850	55	220	850	50	230	850	50	220	840	40	220	830	35

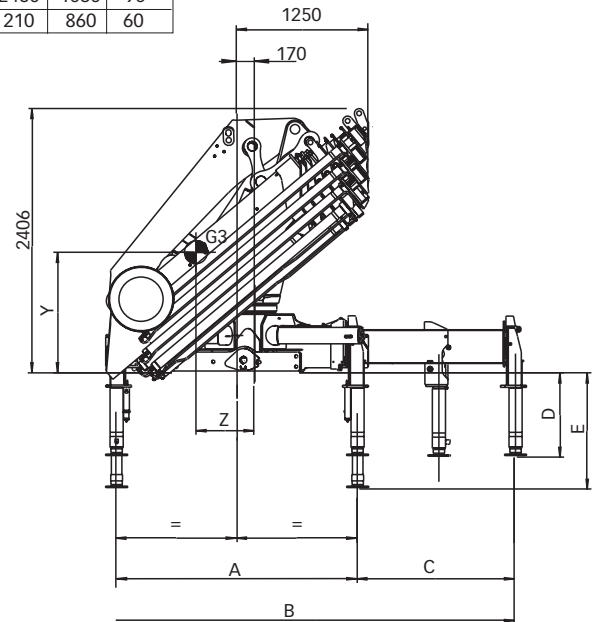
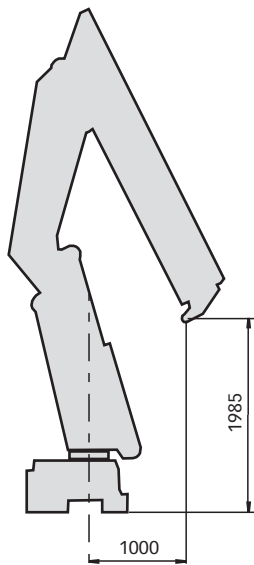


	Extensions 6.5 mts			Extensions 7 mts			Extensions 8 mts			Stabilizer cylinder L= 896		Stabilizer cylinder L= 1022	
	A	B	C	A	B	C	A	B	C	D	E	D	E
Fix outrigger legs	2280	6470	2095	2340	6980	2320	2280	7980	2850	804	1407	954	1557
Giratory outrigger legs	2290	6480	2095	-	-	2320	2290	7990	2850	804	1407	954	1557

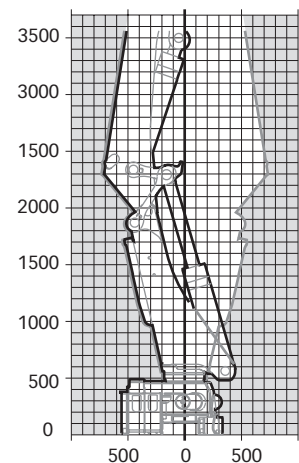
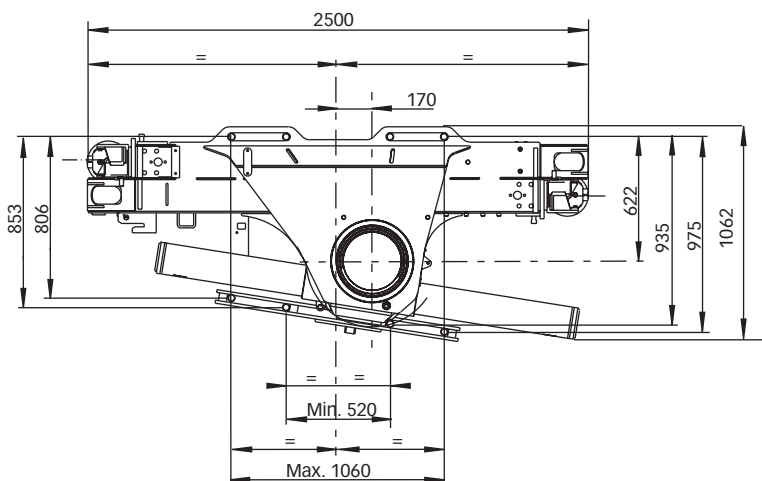




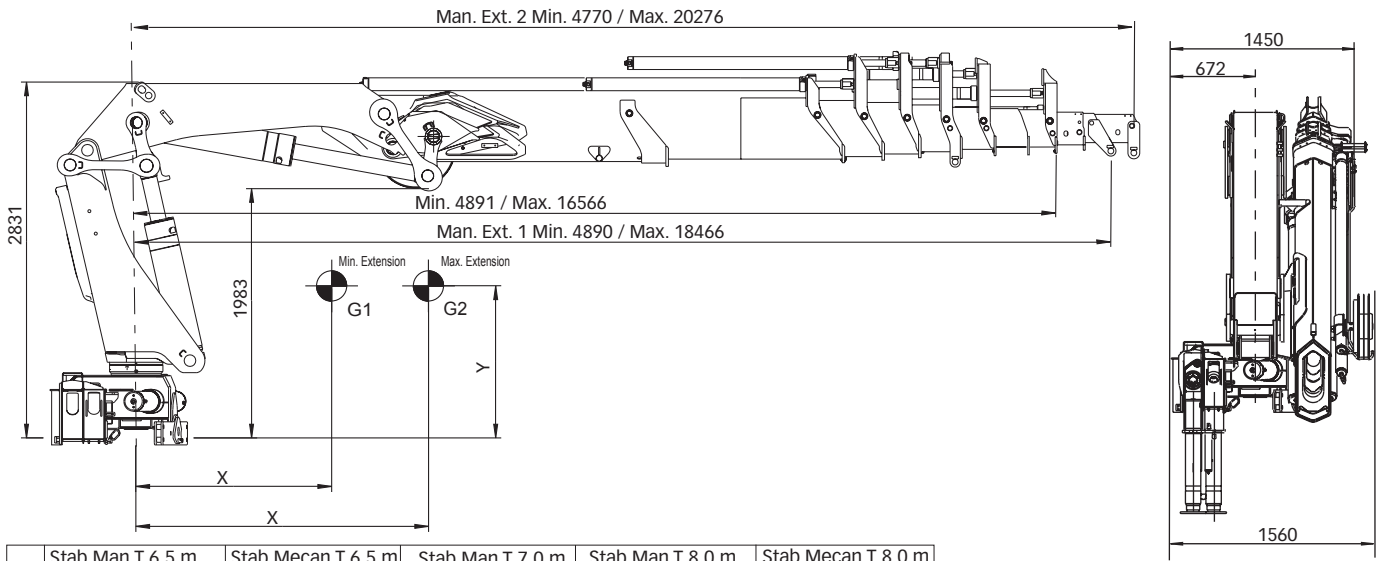
	Stab Man T 6.5 m			Stab Mecan T 6.5 m			Stab Man T 7.0 m			Stab Man T 8.0 m			Stab Mecan T 8.0 m		
	X	Y	Z	X	Y	Z	X	Y	Z	X	Y	Z	X	Y	Z
G1	1190	1580	110	1170	1560	105	1180	1570	105	1140	1540	100	1120	1530	95
G2	2590	1580	110	2550	1560	105	2570	1570	105	2490	1540	100	2460	1530	95
G3	210	880	80	210	870	70	210	880	75	210	870	65	210	860	60



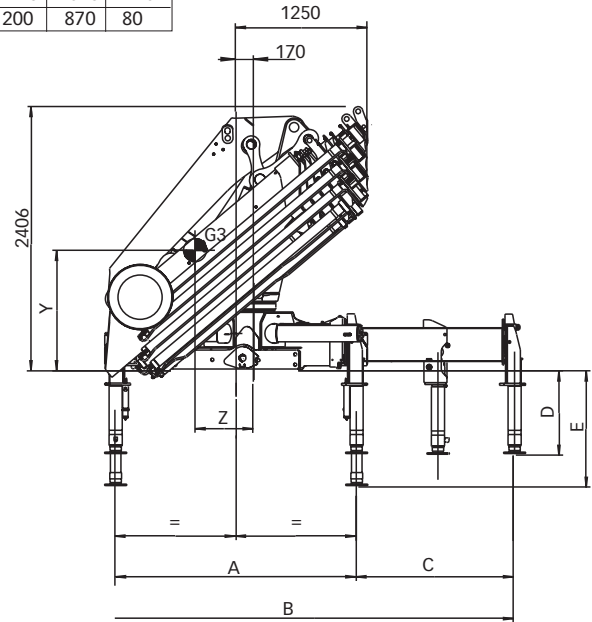
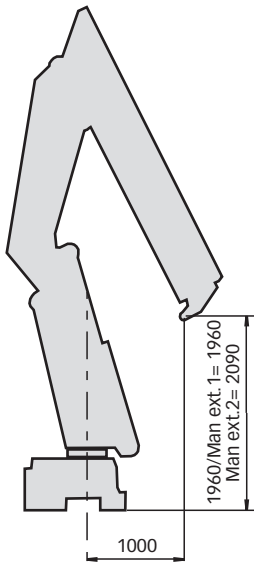
	Extensions 6.5 mts			Extensions 7 mts			Extensions 8 mts			Stabilizer cylinder L= 896		Stabilizer cylinder L= 1022	
	A	B	C	A	B	C	A	B	C	D	E	D	E
Fix outrigger legs	2280	6470	2095	2340	6980	2320	2280	7980	2850	804	1407	954	1557
Giratory outrigger legs	2290	6480	2095	-	-	2320	2290	7990	2850	804	1407	954	1557



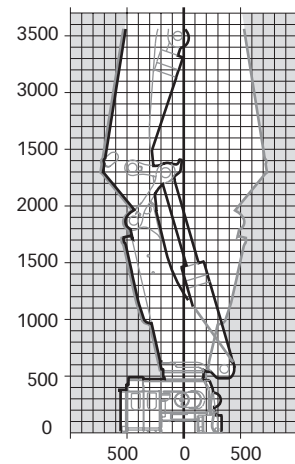
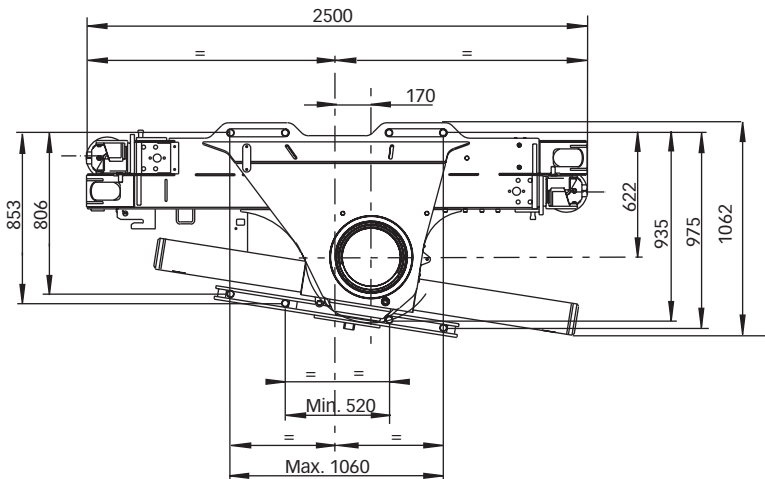
HIAB 422 E-6

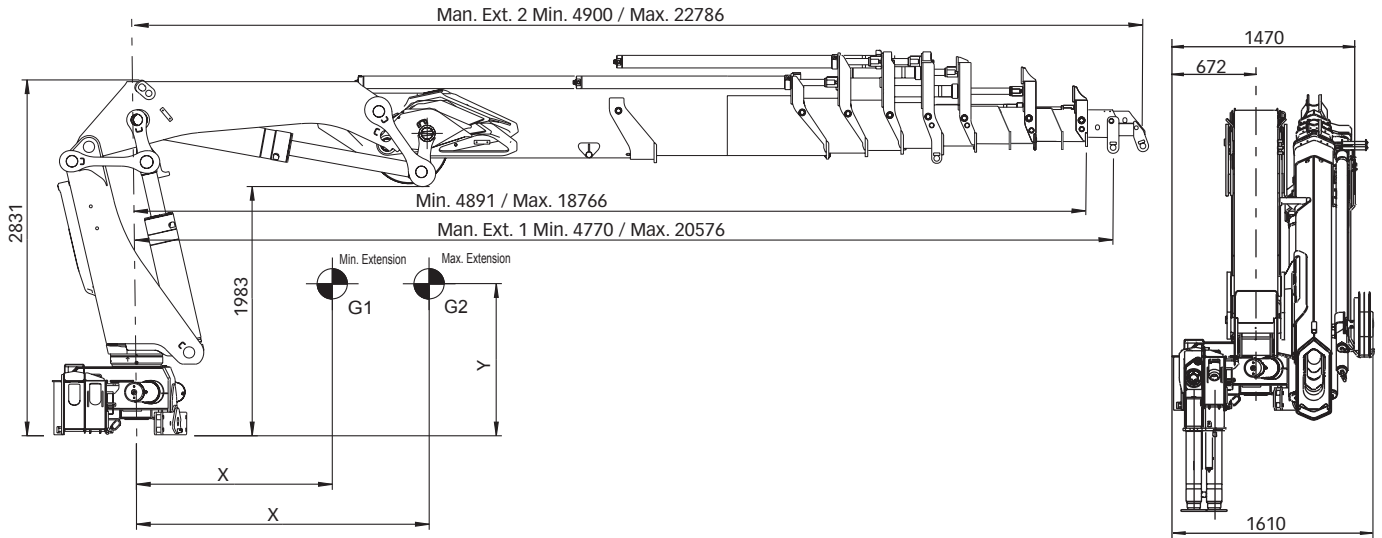


	Stab Man T 6.5 m			Stab Mecan T 6.5 m			Stab Man T 7.0 m			Stab Man T 8.0 m			Stab Mecan T 8.0 m		
	X	Y	Z	X	Y	Z	X	Y	Z	X	Y	Z	X	Y	Z
G1	1280	1620	125	1260	1600	120	1270	1610	125	1230	1580	120	1210	1570	115
G2	3090	1620	125	3040	1600	120	3070	1610	125	2980	1580	120	2490	1570	115
G3	200	890	100	200	890	90	200	890	95	200	880	85	200	870	80

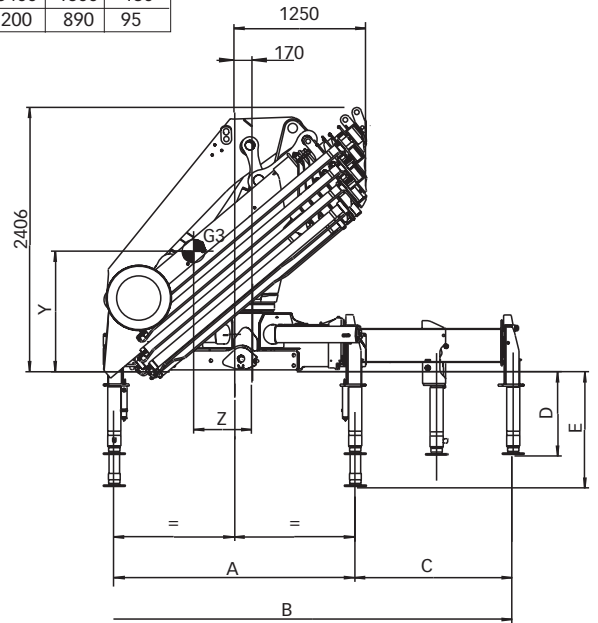
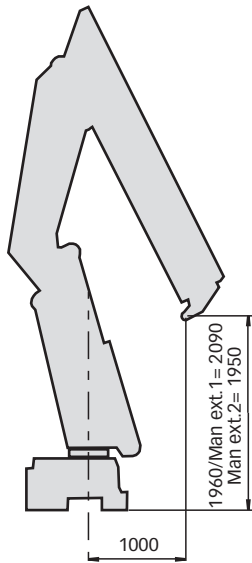


	Extensions 6.5 mts			Extensions 7 mts			Extensions 8 mts			Stabilizer cylinder L= 896		Stabilizer cylinder L= 1022	
	A	B	C	A	B	C	A	B	C	D	E	D	E
Fix outrigger legs	2280	6470	2095	2340	6980	2320	2280	7980	2850	804	1407	954	1557
Giratory outrigger legs	2290	6480	2095	-	-	2320	2290	7990	2850	804	1407	954	1557

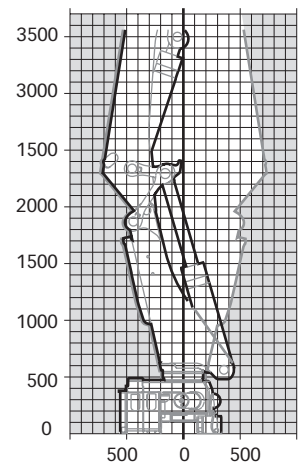
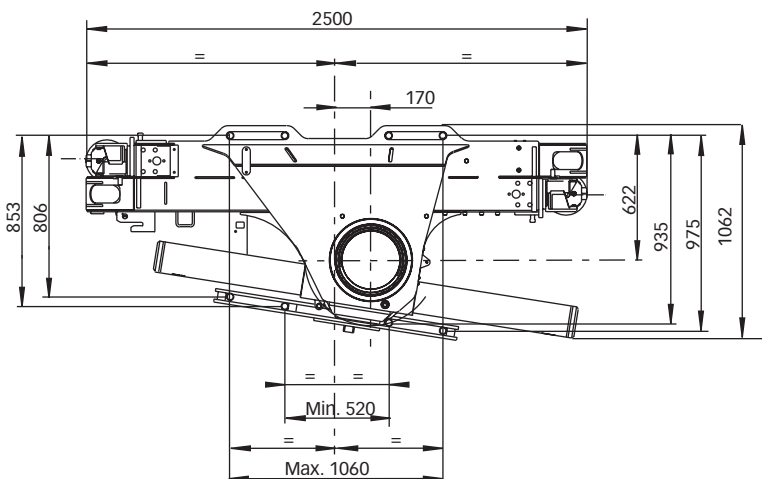




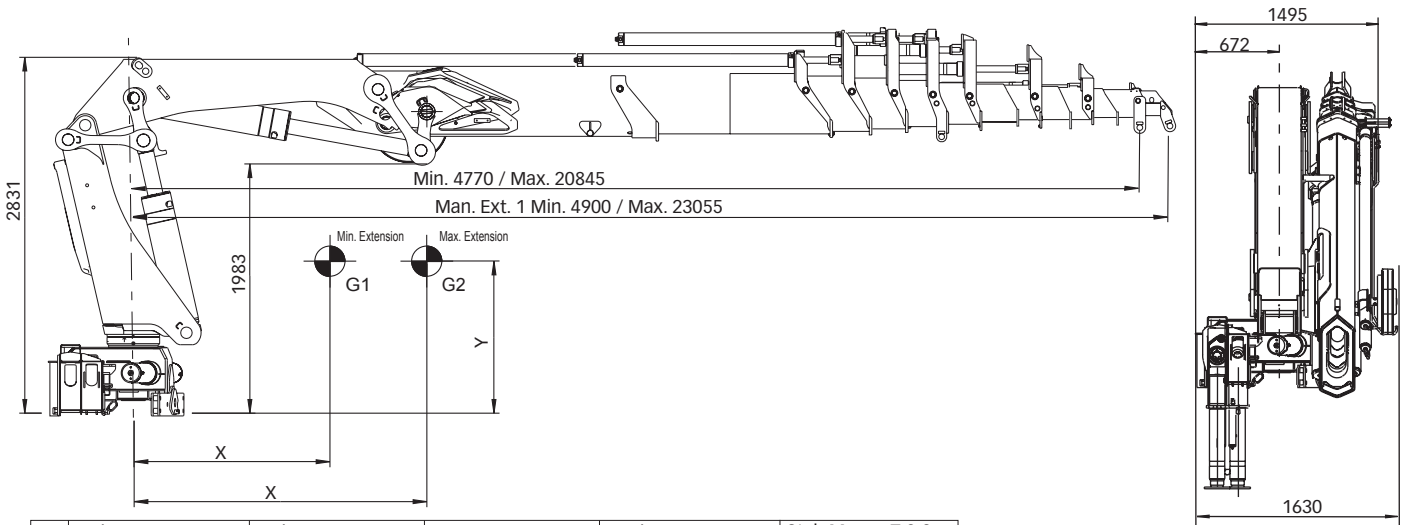
	Stab Man T 6.5 m			Stab Mecan T 6.5 m			Stab Man T 7.0 m			Stab Man T 8.0 m			Stab Mecan T 8.0 m		
	X	Y	Z	X	Y	Z	X	Y	Z	X	Y	Z	X	Y	Z
G1	1350	1650	140	1330	1630	140	1340	1640	140	1300	1610	130	1280	1600	130
G2	3560	1650	140	3510	1630	140	3540	1640	140	3440	1640	130	3400	1600	130
G3	200	910	115	200	900	110	200	910	110	200	900	100	200	890	95



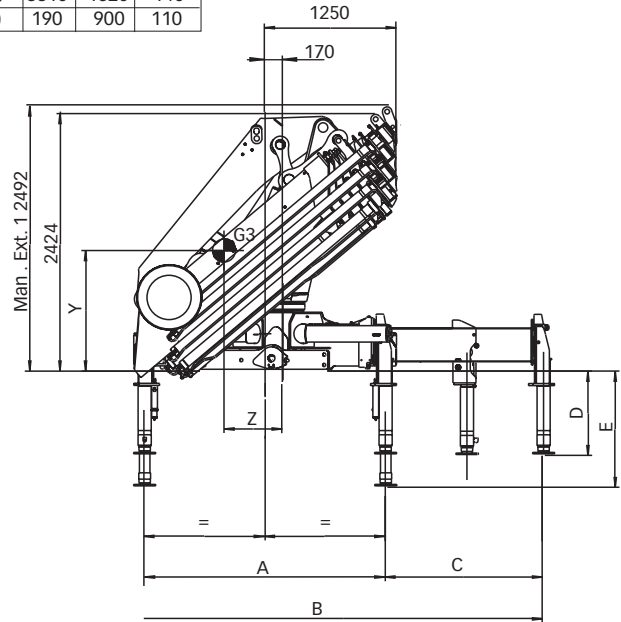
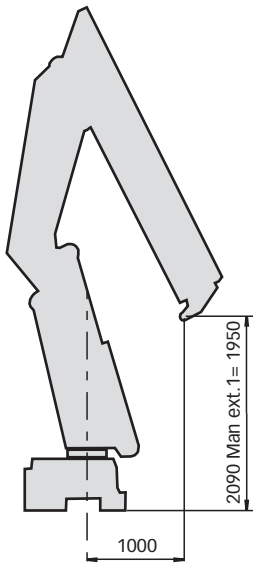
	Extensions 6.5 mts			Extensions 7 mts			Extensions 8 mts			Stabilizer cylinder L= 896		Stabilizer cylinder L= 1022	
	A	B	C	A	B	C	A	B	C	D	E	D	E
Fix outrigger legs	2280	6470	2095	2340	6980	2320	2280	7980	2850	804	1407	954	1557
Giratory outrigger legs	2290	6480	2095	-	-	2320	2290	7990	2850	804	1407	954	1557



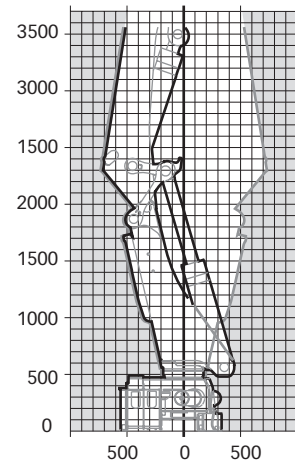
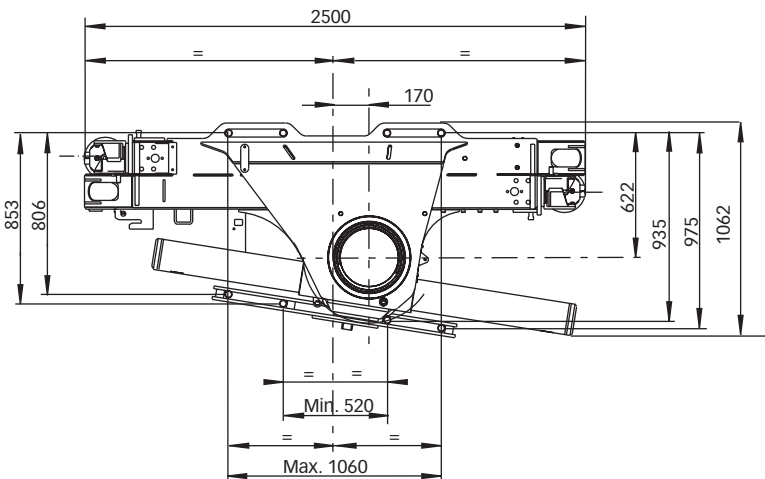
HIAB 422 E-8



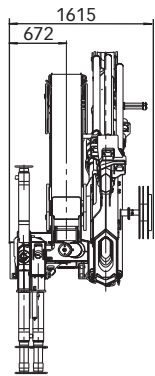
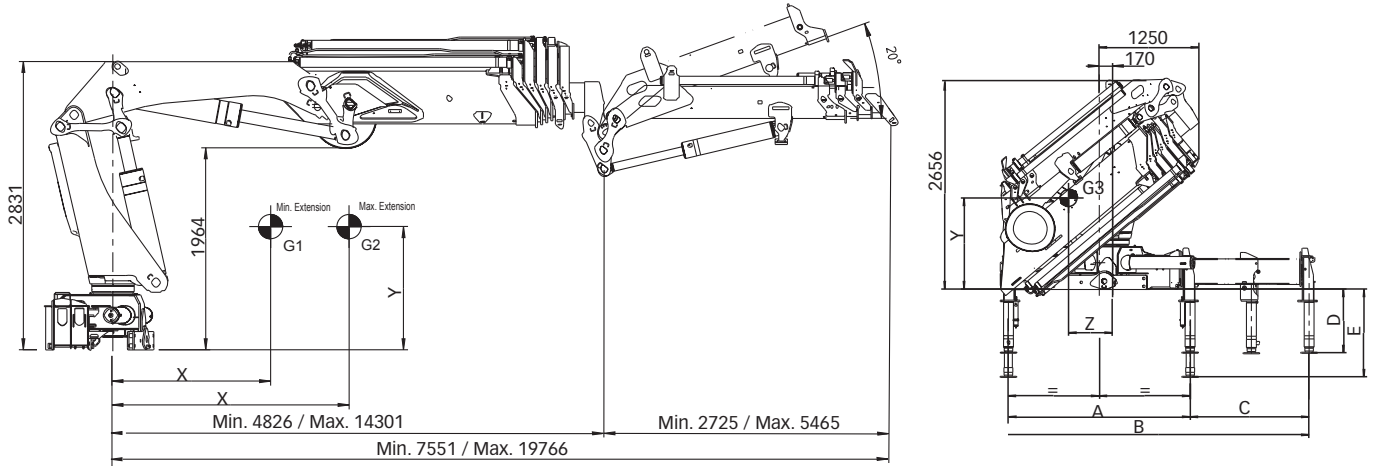
	Stab Man T 6.5 m			Stab Mecan T 6.5 m			Stab Man T 7.0 m			Stab Man T 8.0 m			Stab Mecan T 8.0 m		
	X	Y	Z	X	Y	Z	X	Y	Z	X	Y	Z	X	Y	Z
G1	1400	1670	155	1380	1650	150	1390	1660	150	1350	1640	145	1340	1620	140
G2	3980	1670	155	3930	1650	150	3920	1660	150	3850	1640	145	3810	1620	140
G3	190	930	125	190	920	120	190	920	125	190	910	110	190	900	110



	Extensions 6.5 mts			Extensions 7 mts			Extensions 8 mts			Stabilizer cylinder L= 896		Stabilizer cylinder L= 1022	
	A	B	C	A	B	C	A	B	C	D	E	D	E
Fix outrigger legs	2280	6470	2095	2340	6980	2320	2280	7980	2850	804	1407	954	1557
Giratory outrigger legs	2290	6480	2095	-	-	2320	2290	7990	2850	804	1407	954	1557



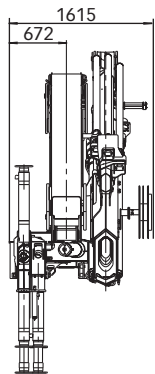
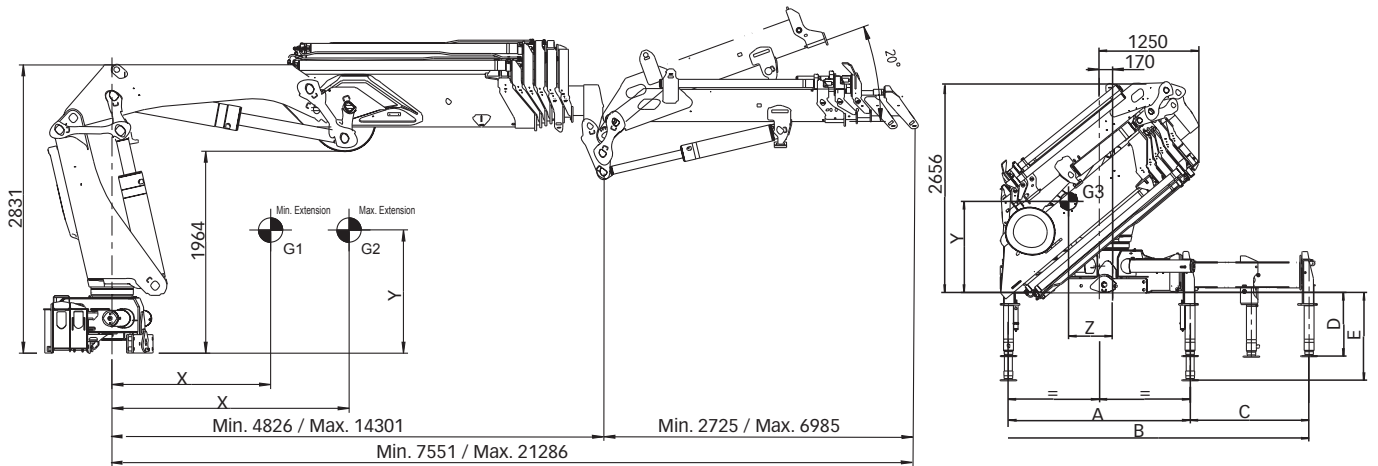
HIAB 422 E-5 + JIB



	Stab Man T 6.5 m			Stab Mecan T 6.5 m			Stab Man T 7.0 m			Stab Man T 8.0 m			Stab Mecan T 8.0 m		
	X	Y	Z	X	Y	Z	X	Y	Z	X	Y	Z	X	Y	Z
G1	1810	1630	158	1785	1614	154	0	0	0	1750	1596	148	1728	1581	145
G2	4383	1630	158	4329	1614	154	0	0	0	4253	1596	148	4205	1581	145
G3	132	1008	175	126	998	175	0	0	0	118	990	175	113	982	175

	Extensions 6.5 mts			Extensions 7 mts			Extensions 8 mts			Stabilizer cylinder L= 896		Stabilizer cylinder L= 1022	
	A	B	C	A	B	C	A	B	C	D	E	D	E
Fix outrigger legs	2280	6470	2095	2340	6980	2320	2280	7980	2850	804	1407	954	1557
Giratory outrigger legs	2290	6480	2095	-	-	2320	2290	7990	2850	804	1407	954	1557

422 E-5 + JIB 100X-2.3

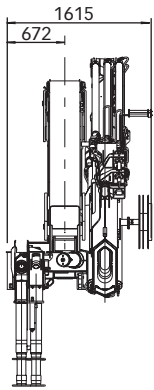
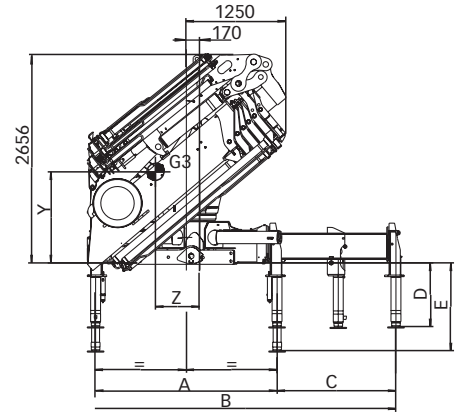
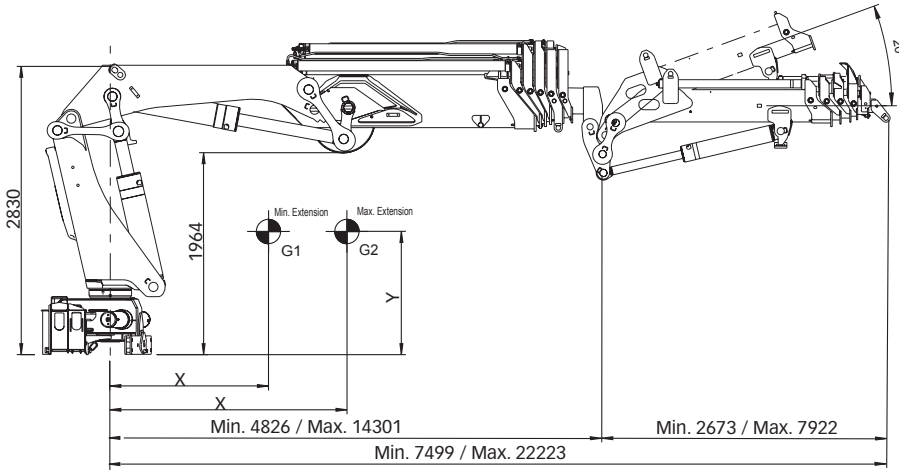


	Stab Man T 6.5 m			Stab Mecan T 6.5 m			Stab Man T 7.0 m			Stab Man T 8.0 m			Stab Mecan T 8.0 m		
	X	Y	Z	X	Y	Z	X	Y	Z	X	Y	Z	X	Y	Z
G1	1881	1643	164	1855	1626	161	0	0	0	1820	1608	155	1798	1594	152
G2	4630	1643	164	4574	1626	161	0	0	0	4495	1608	155	4446	1594	152
G3	139	1017	179	133	1007	179	0	0	0	125	1000	179	120	992	179

	Extensions 6.5 mts			Extensions 7 mts			Extensions 8 mts			Stabilizer cylinder L= 896		Stabilizer cylinder L= 1022	
	A	B	C	A	B	C	A	B	C	D	E	D	E
Fix outrigger legs	2280	6470	2095	2340	6980	2320	2280	7980	2850	804	1407	954	1557
Giratory outrigger legs	2290	6480	2095	-	-	2320	2290	7990	2850	804	1407	954	1557

422 E-5 + JIB 100X-3.3

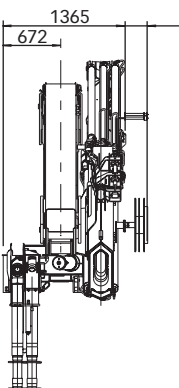
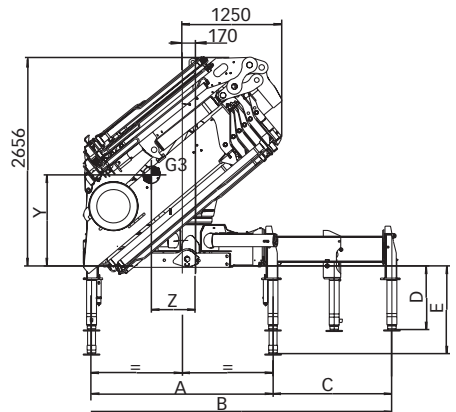
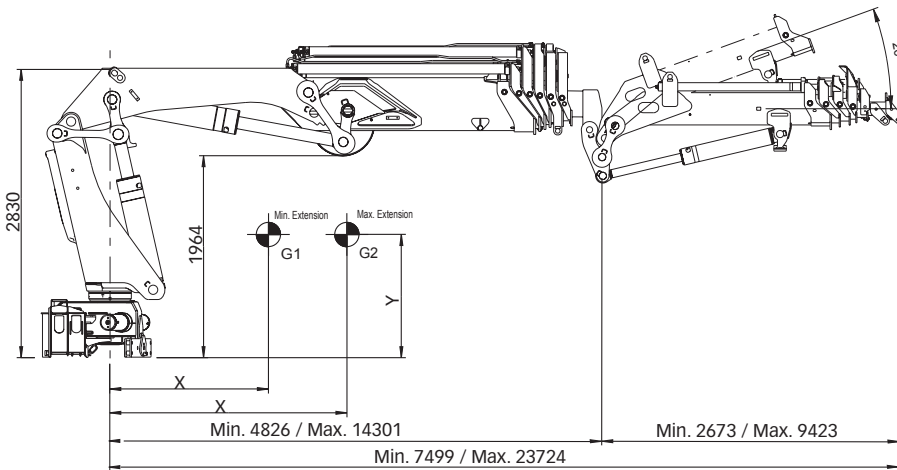
HIAB 422 E-5 + JIB



	Stab Man T 6.5 m			Stab Mecan T 6.5 m			Stab Man T 7.0 m			Stab Man T 8.0 m			Stab Mecan T 8.0 m		
	X	Y	Z	X	Y	Z	X	Y	Z	X	Y	Z	X	Y	Z
G1	1938	1655	171	1913	1638	167	0	0	0	1877	1621	161	1854	1607	158
G2	4850	1655	171	4792	1638	167	0	0	0	4710	1621	161	4660	1607	158
G3	145	1029	182	140	1019	182	0	0	0	132	1011	182	127	1003	182

	Extensions 6.5 mts			Extensions 7 mts			Extensions 8 mts			Stabilizer cylinder L= 896		Stabilizer cylinder L= 1022	
	A	B	C	A	B	C	A	B	C	D	E	D	E
Fix outrigger legs	2280	6470	2095	2340	6980	2320	2280	7980	2850	804	1407	954	1557
Giratory outrigger legs	2290	6480	2095	-	-	2320	2290	7990	2850	804	1407	954	1557

422 E-5+JIB 100X-4

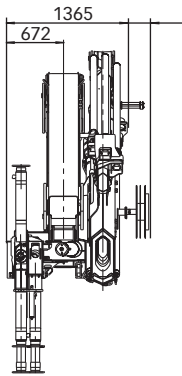
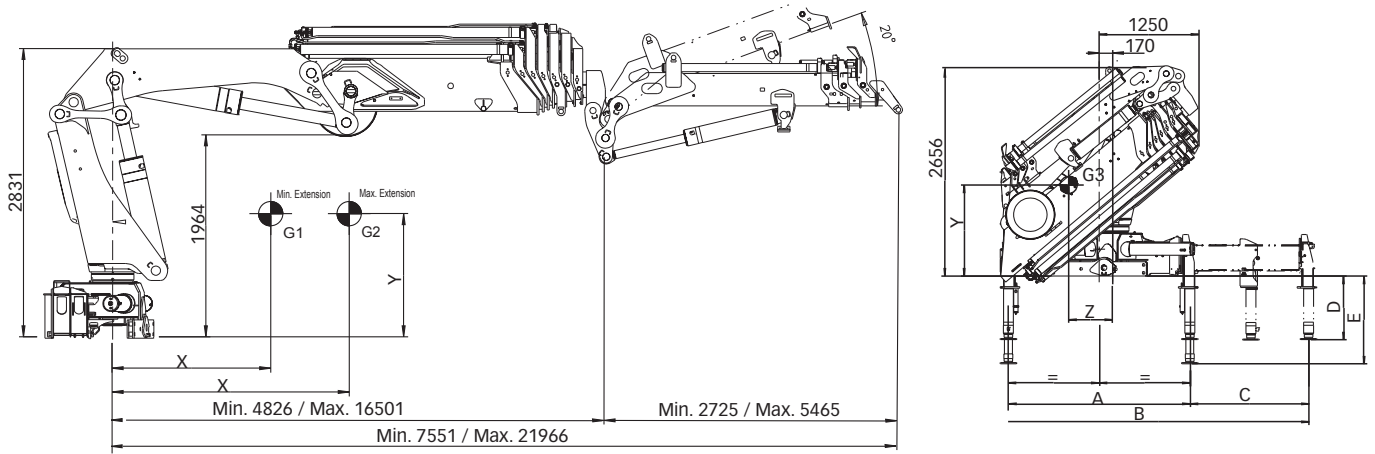


	Stab Man T 6.5 m			Stab Mecan T 6.5 m			Stab Man T 7.0 m			Stab Man T 8.0 m			Stab Mecan T 8.0 m		
	X	Y	Z	X	Y	Z	X	Y	Z	X	Y	Z	X	Y	Z
G1	1993	1663	176	1967	1647	172	1980	1710	175	1931	1629	166	1908	1615	163
G2	5069	1663	176	5009	1647	172	5040	1710	175	4925	1629	166	4873	1615	163
G3	151	1035	185	145	1025	185	180	1030	150	137	1017	185	132	1009	185

	Extensions 6.5 mts			Extensions 7 mts			Extensions 8 mts			Stabilizer cylinder L= 896		Stabilizer cylinder L= 1022	
	A	B	C	A	B	C	A	B	C	D	E	D	E
Fix outrigger legs	2280	6470	2095	2340	6980	2320	2280	7980	2850	804	1407	954	1557
Giratory outrigger legs	2290	6480	2095	-	-	2320	2290	7990	2850	804	1407	954	1557

422 E-5 + JIB 100X-5

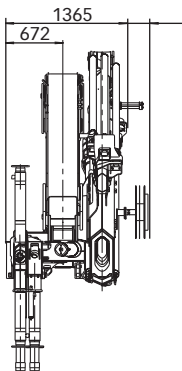
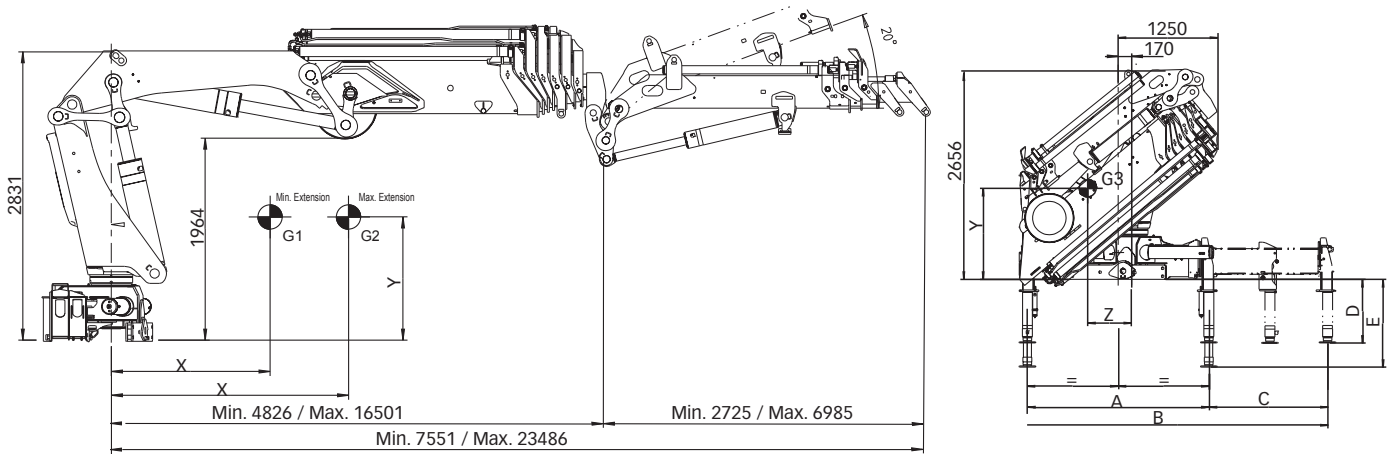
HIAB 422 E-6 + JIB



	Stab Man T 6.5 m			Stab Mecan T 6.5 m			Stab Man T 7.0 m			Stab Man T 8.0 m			Stab Mecan T 8.0 m		
	X	Y	Z	X	Y	Z	X	Y	Z	X	Y	Z	X	Y	Z
G1	1864	1661	178	1840	1645	174	0	0	0	1805	1627	168	1784	1613	165
G2	5044	1661	178	4984	1645	174	0	0	0	4900	1627	168	4848	1613	165
G3	153	1014	163	147	1005	163	0	0	0	139	997	164	134	989	164

	Extensions 6.5 mts			Extensions 7 mts			Extensions 8 mts			Stabilizer cylinder L= 896		Stabilizer cylinder L= 1022	
	A	B	C	A	B	C	A	B	C	D	E	D	E
Fix outrigger legs	2280	6470	2095	2340	6980	2320	2280	7980	2850	804	1407	954	1557
Giratory outrigger legs	2290	6480	2095	-	-	2320	2290	7990	2850	804	1407	954	1557

422 E-6 + JIB 100X-2.3

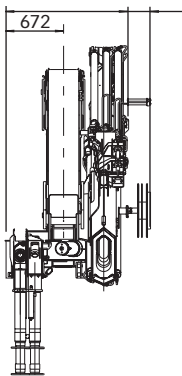
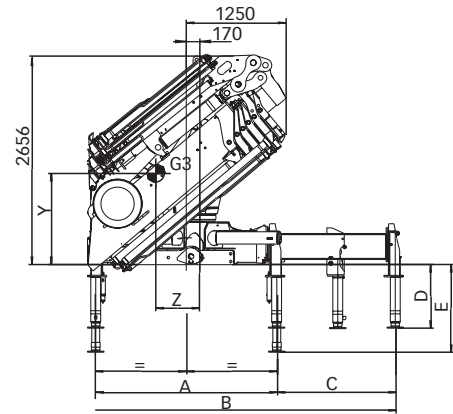
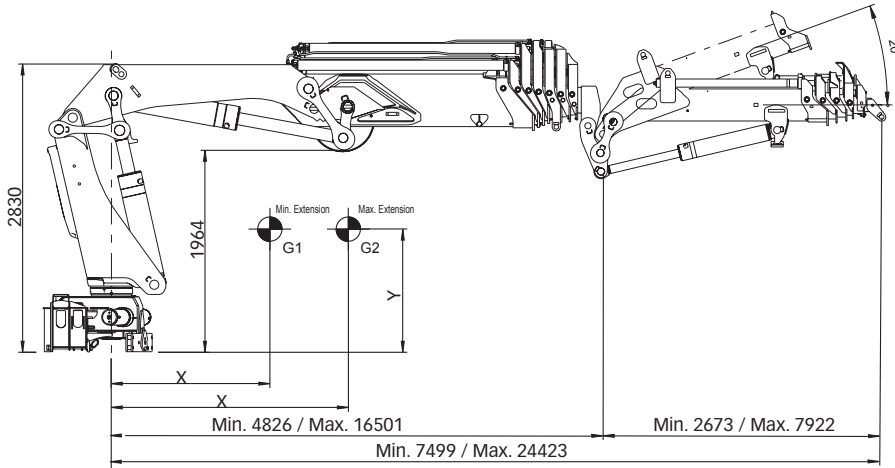


	Stab Man T 6.5 m			Stab Mecan T 6.5 m			Stab Man T 7.0 m			Stab Man T 8.0 m			Stab Mecan T 8.0 m		
	X	Y	Z	X	Y	Z	X	Y	Z	X	Y	Z	X	Y	Z
G1	1932	1673	185	1907	1656	181	0	0	0	1872	1638	175	1850	1624	172
G2	5305	1673	185	5244	1656	181	0	0	0	5157	1638	175	5103	1624	172
G3	160	1023	167	154	1014	167	0	0	0	146	1006	167	141	998	167

	Extensions 6.5 mts			Extensions 7 mts			Extensions 8 mts			Stabilizer cylinder L= 896		Stabilizer cylinder L= 1022	
	A	B	C	A	B	C	A	B	C	D	E	D	E
Fix outrigger legs	2280	6470	2095	2340	6980	2320	2280	7980	2850	804	1407	954	1557
Giratory outrigger legs	2290	6480	2095	-	-	2320	2290	7990	2850	804	1407	954	1557

422 E-6 + JIB 100X-3.3

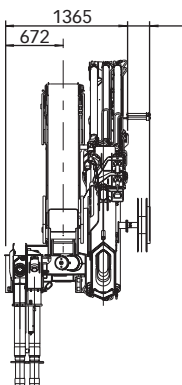
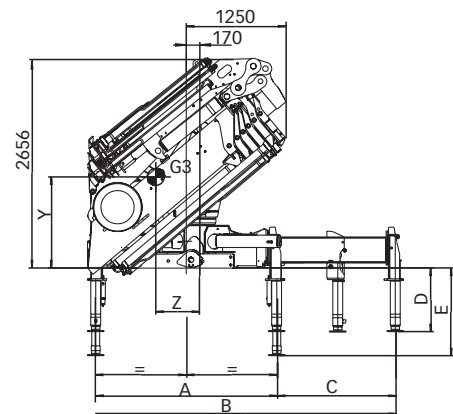
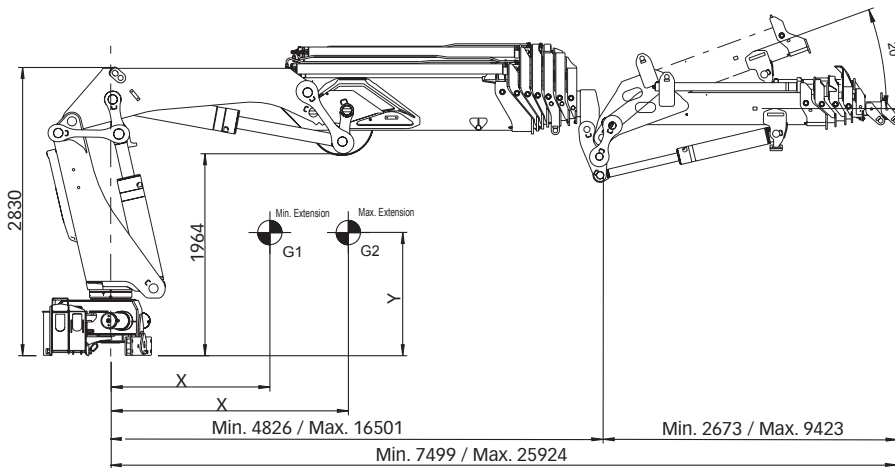
HIAB 422 E-6 + JIB



	Stab Man T 6.5 m			Stab Mecan T 6.5 m			Stab Man T 7.0 m			Stab Man T 8.0 m			Stab Mecan T 8.0 m		
	X	Y	Z	X	Y	Z	X	Y	Z	X	Y	Z	X	Y	Z
G1	1987	1684	191	1961	1668	187	1980	1730	190	1926	1650	181	1904	1636	178
G2	5537	1684	191	5474	1668	187	5510	1730	190	5385	1650	181	5329	1636	178
G3	166	1034	169	161	1025	169	165	1030	165	153	1017	170	148	1009	169

	Extensions 6.5 mts			Extensions 7 mts			Extensions 8 mts			Stabilizer cylinder L= 896		Stabilizer cylinder L= 1022	
	A	B	C	A	B	C	A	B	C	D	E	D	E
Fix outrigger legs	2280	6470	2095	2340	6980	2320	2280	7980	2850	804	1407	954	1557
Giratory outrigger legs	2290	6480	2095	-	-	2320	2290	7990	2850	804	1407	954	1557

422 E-6 + JIB 100X-4

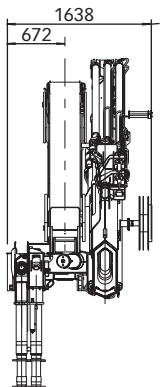
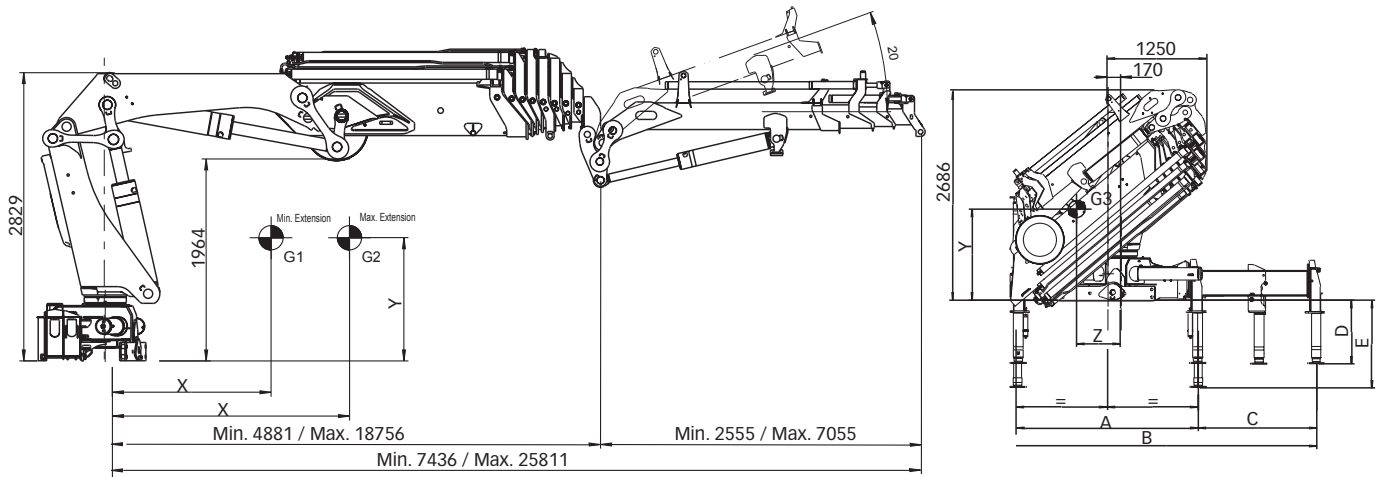


	Stab Man T 6.5 m			Stab Mecan T 6.5 m			Stab Man T 7.0 m			Stab Man T 8.0 m			Stab Mecan T 8.0 m		
	X	Y	Z	X	Y	Z	X	Y	Z	X	Y	Z	X	Y	Z
G1	2039	1692	196	2014	1675	192	2030	1740	195	1978	1658	187	1955	1644	183
G2	5767	1692	196	5702	1675	192	5740	1740	195	5610	1658	187	5553	1644	183
G3	172	1040	172	166	1030	171	170	1030	170	158	1023	172	153	1015	172

	Extensions 6.5 mts			Extensions 7 mts			Extensions 8 mts			Stabilizer cylinder L= 896		Stabilizer cylinder L= 1022	
	A	B	C	A	B	C	A	B	C	D	E	D	E
Fix outrigger legs	2280	6470	2095	2340	6980	2320	2280	7980	2850	804	1407	954	1557
Giratory outrigger legs	2290	6480	2095	-	-	2320	2290	7990	2850	804	1407	954	1557

422 E-6 + JIB 100X-5

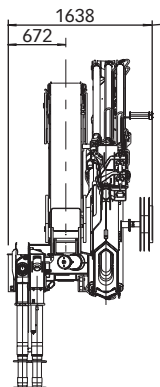
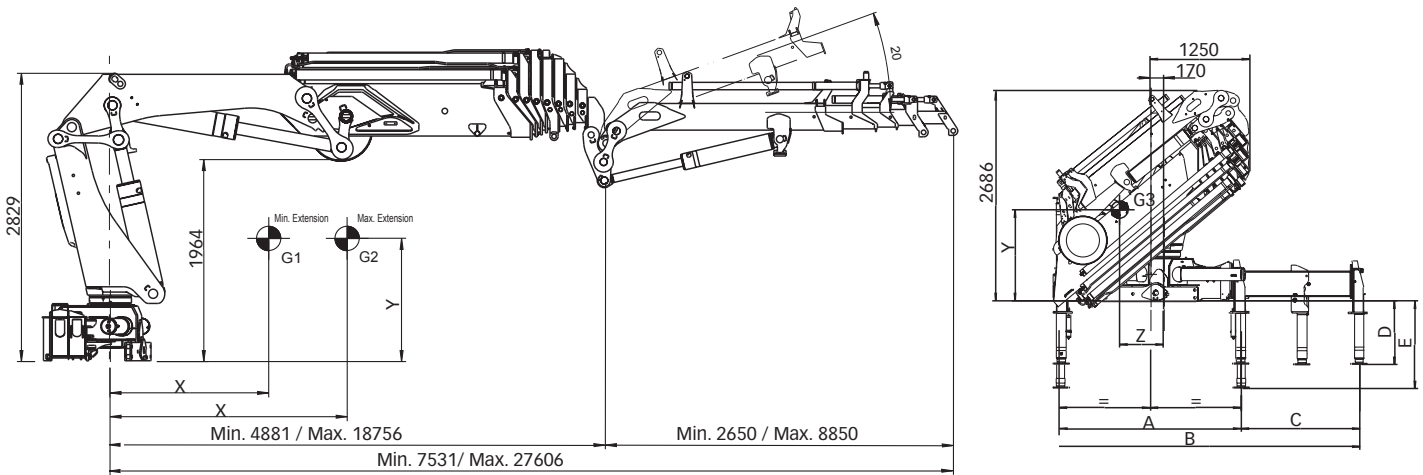
HIAB 422 E-7 + JIB



	Stab Man T 6.5 m			Stab Mecan T 6.5 m			Stab Man T 7.0 m			Stab Man T 8.0 m			Stab Mecan T 8.0 m		
	X	Y	Z	X	Y	Z	X	Y	Z	X	Y	Z	X	Y	Z
G1	1860	1680	190	1840	1660	185	1850	1670	185	1800	1640	180	1780	1630	175
G2	5520	1680	190	5450	1660	185	5480	1670	185	5350	1640	180	5310	1630	175
G3	165	1010	165	165	1000	160	165	1010	160	165	990	150	165	990	145

	Extensions 6.5 mts			Extensions 7 mts			Extensions 8 mts			Stabilizer cylinder L= 896		Stabilizer cylinder L= 1022	
	A	B	C	A	B	C	A	B	C	D	E	D	E
Fix outrigger legs	2280	6470	2095	2340	6980	2320	2280	7980	2850	804	1407	954	1557
Giratory outrigger legs	2290	6480	2095	-	-	2320	2290	7990	2850	804	1407	954	1557

422 E-7 + JIB 75X-3



	Stab Man T 6.5 m			Stab Mecan T 6.5 m			Stab Man T 7.0 m			Stab Man T 8.0 m			Stab Mecan T 8.0 m		
	X	Y	Z	X	Y	Z	X	Y	Z	X	Y	Z	X	Y	Z
G1	1920	1690	195	1890	1670	190	1900	1680	190	1850	1650	185	1840	1640	180
G2	5770	1690	195	5700	1670	190	5740	1680	190	5600	1650	185	5550	1640	180
G3	170	1020	170	170	1010	165	170	1010	165	170	990	155	170	990	150

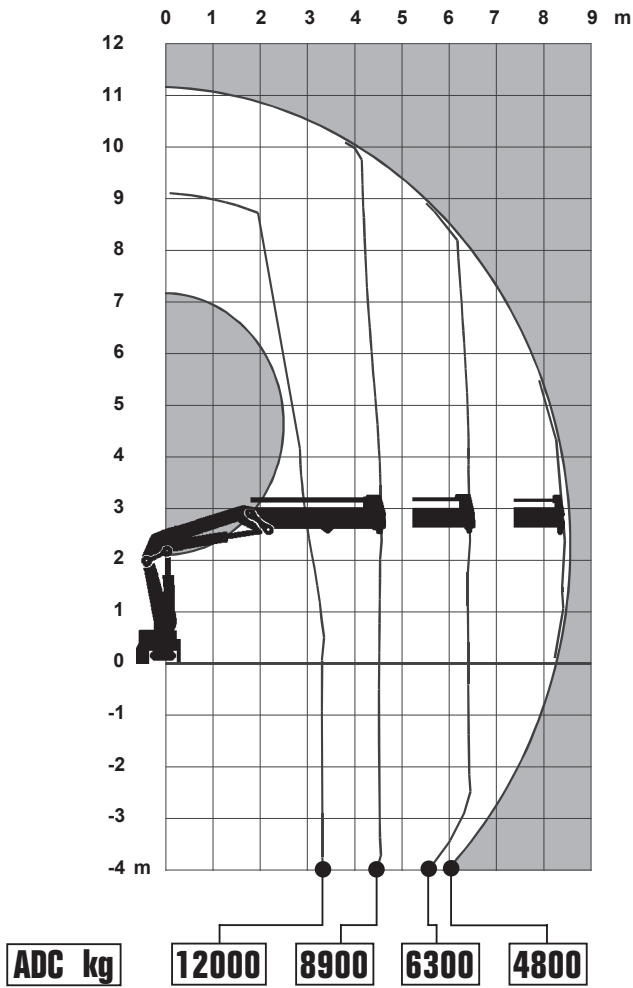
	Extensions 6.5 mts			Extensions 7 mts			Extensions 8 mts			Stabilizer cylinder L= 896		Stabilizer cylinder L= 1022	
	A	B	C	A	B	C	A	B	C	D	E	D	E
Fix outrigger legs	2280	6470	2095	2340	6980	2320	2280	7980	2850	804	1407	954	1557
Giratory outrigger legs	2290	6480	2095	-	-	2320	2290	7990	2850	804	1407	954	1557

422 E-7 + JIB 75X-4

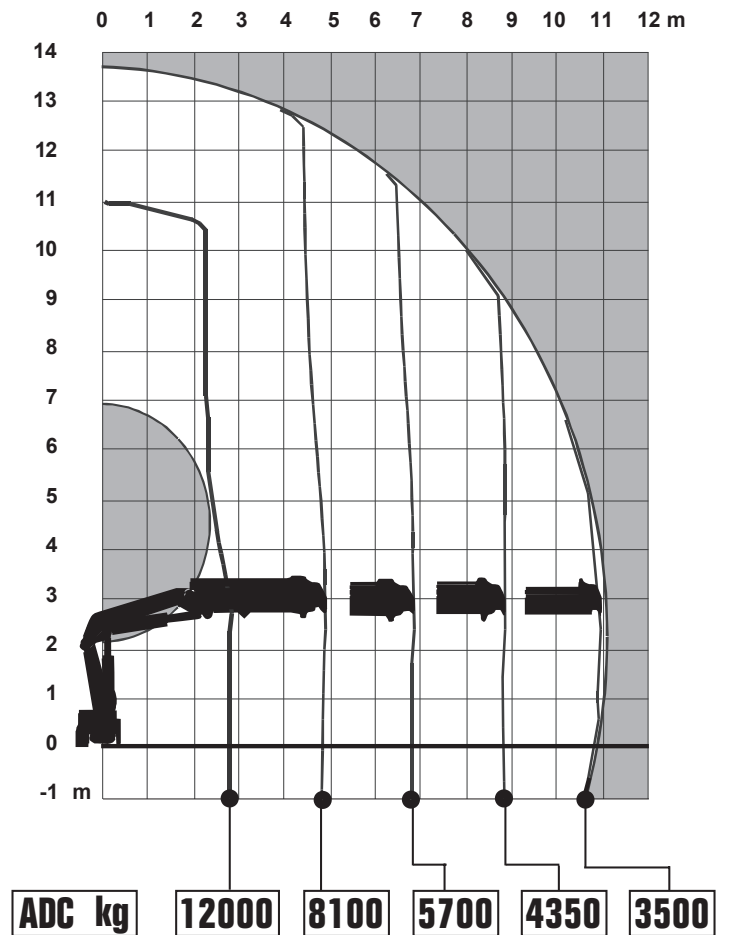
HIAB 422 EP-2 HIPRO 422 EP-3 HIPRO

LOAD DIAGRAM

To the left of the curve the indicated loads can be handled with any loader function provided that the positions of the booms are optimized from a force point of view.



422 EP-2 HIPRO

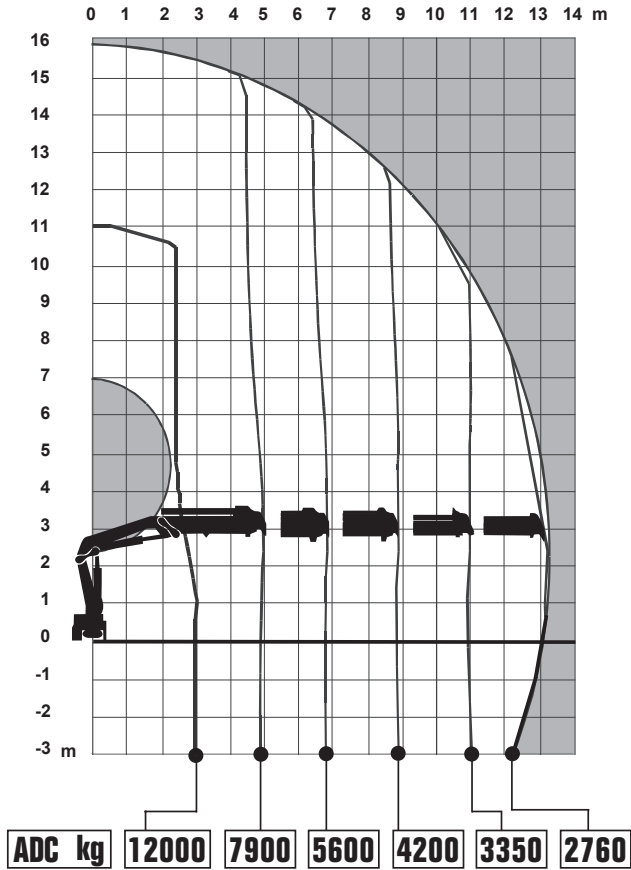


422 EP-3 HIPRO

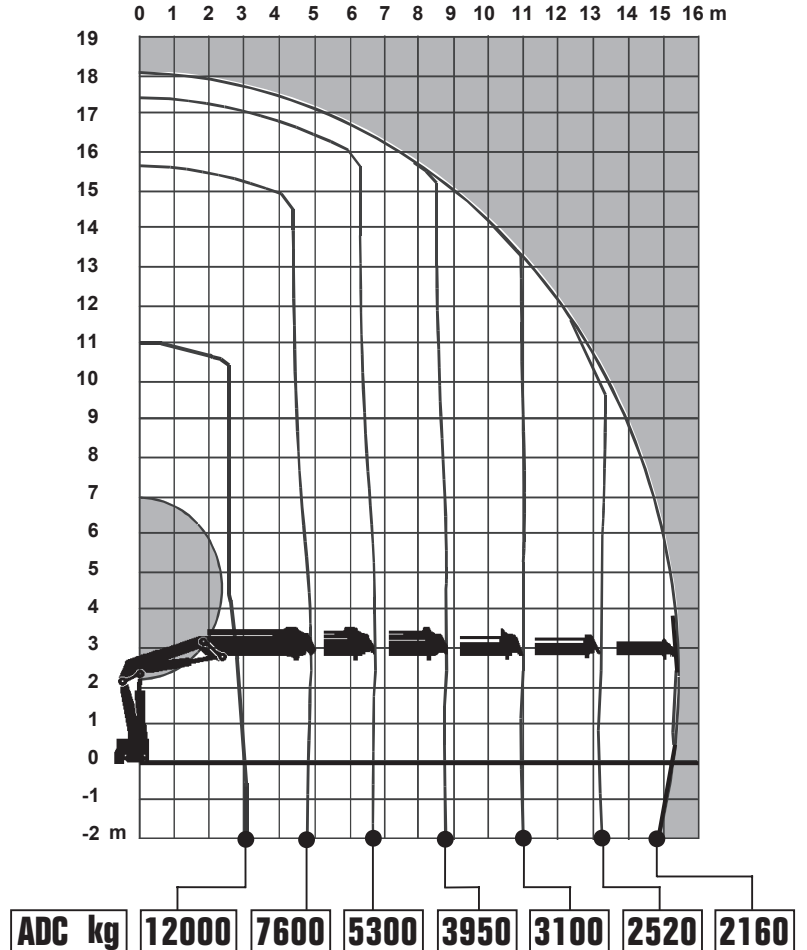
HIAB 422 EP-4 HIPRO 422 EP-5 HIPRO

LOAD DIAGRAM

To the left of the curve the indicated loads can be handled with any loader function provided that the positions of the booms are optimized from a force point of view.



422 EP-4 HIPRO

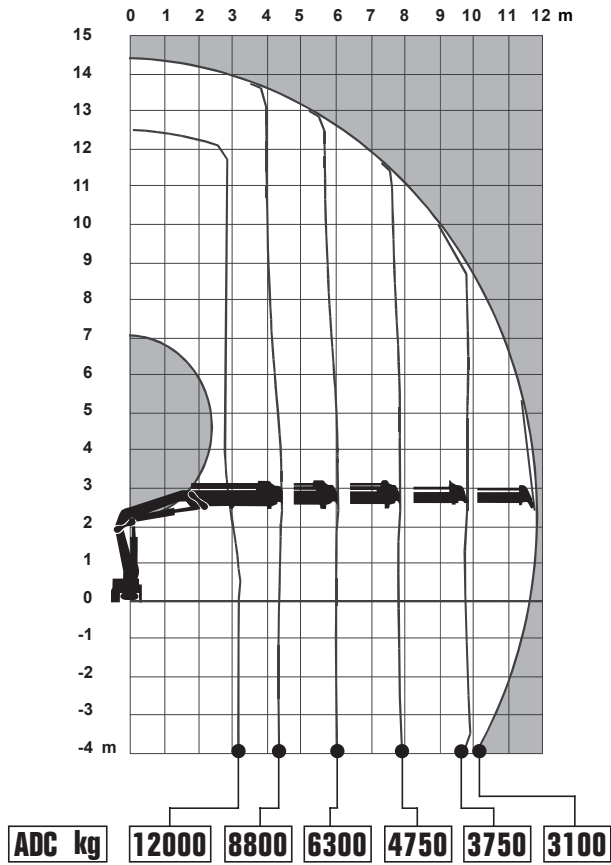


422 EP-5 HIPRO

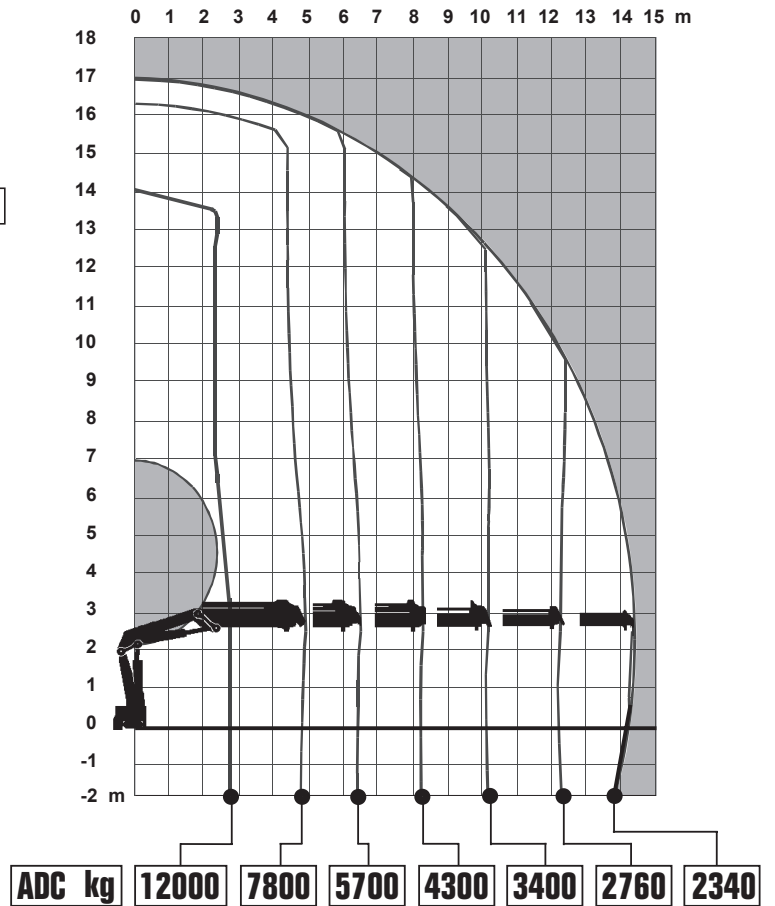
HIAB 422 E-4 HIPRO 422 E-5 HIPRO

LOAD DIAGRAM

To the left of the curve the indicated loads can be handled with any loader function provided that the positions of the booms are optimized from a force point of view.



422 E-4 HIPRO

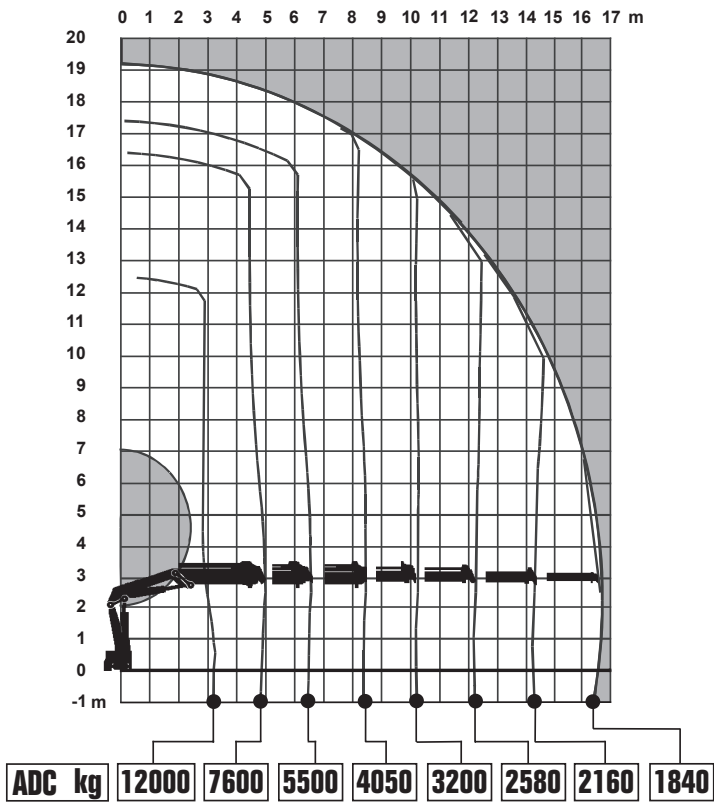


422 E-5 HIPRO

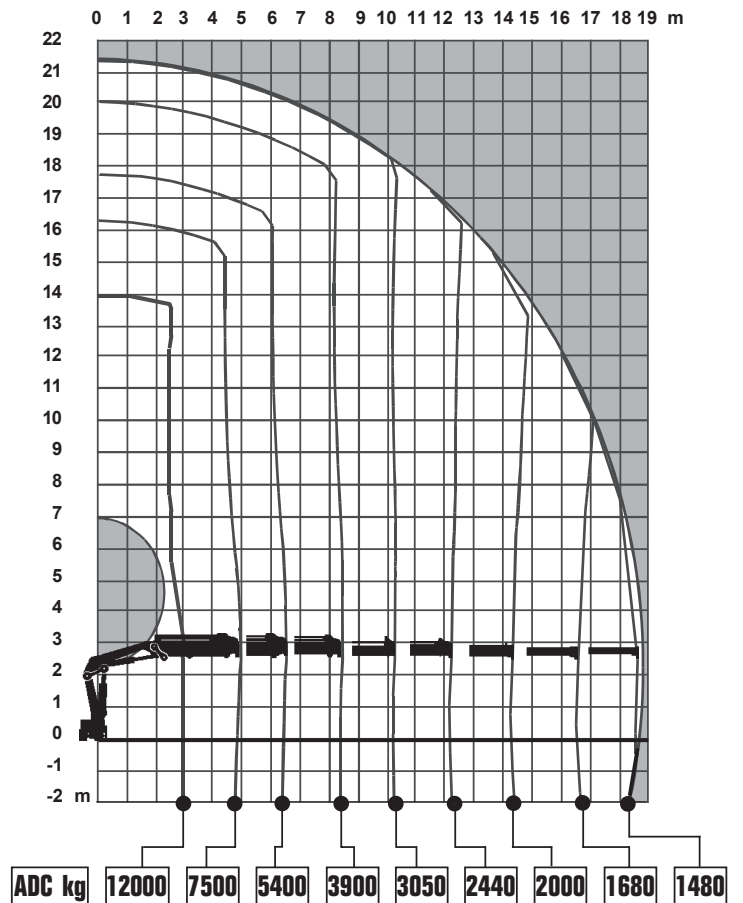
HIAB 422 E-6 HIPRO 422 E-7 HIPRO

LOAD DIAGRAM

To the left of the curve the indicated loads can be handled with any loader function provided that the positions of the booms are optimized from a force point of view.



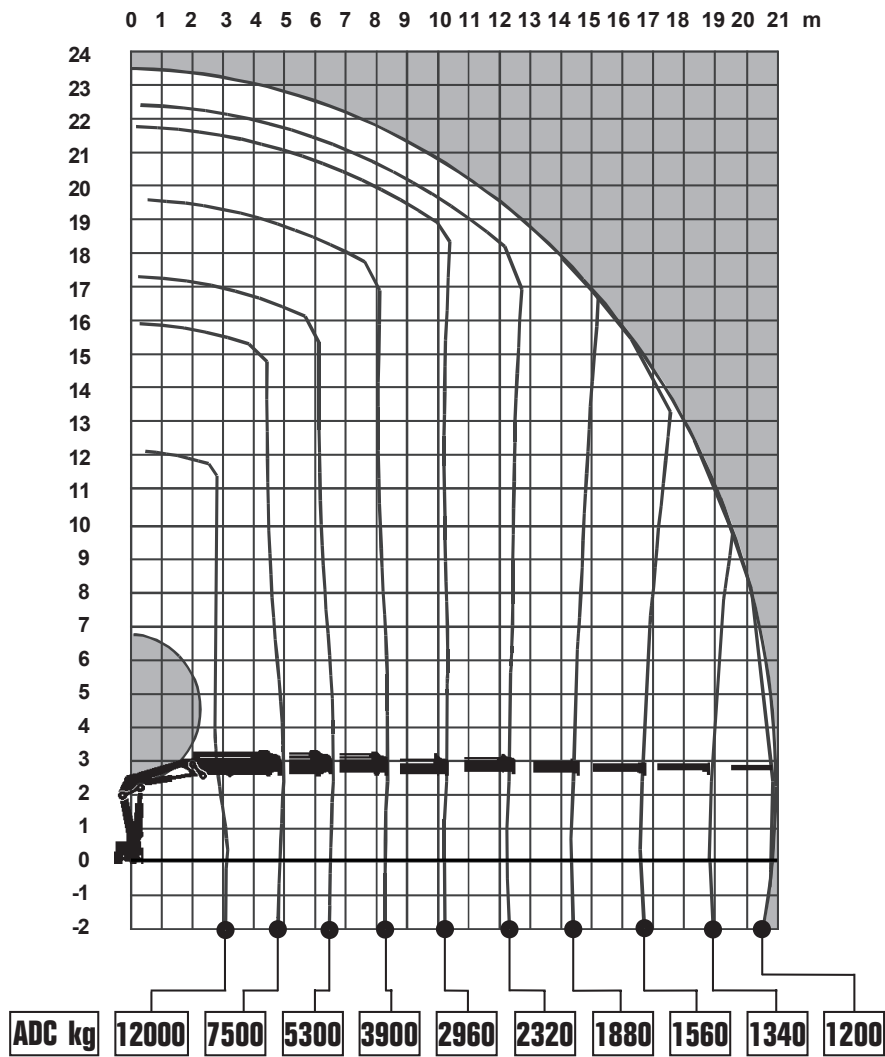
422 E-6 HIPRO



422 E-7 HIPRO

LOAD DIAGRAM

To the left of the curve the indicated loads can be handled with any loader function provided that the positions of the booms are optimized from a force point of view.

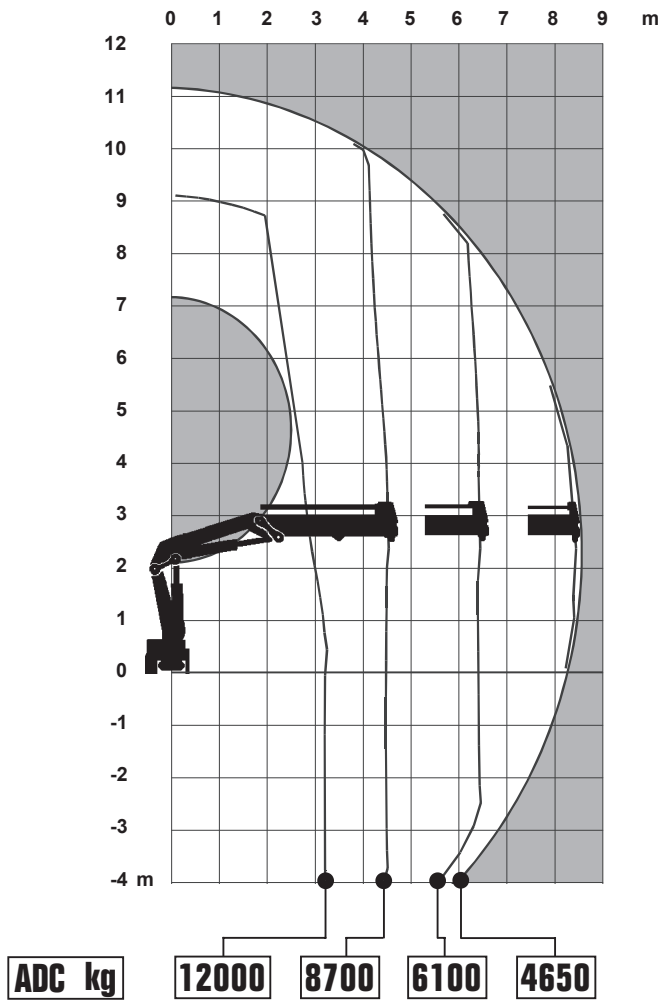


422 E-8 HIPRO

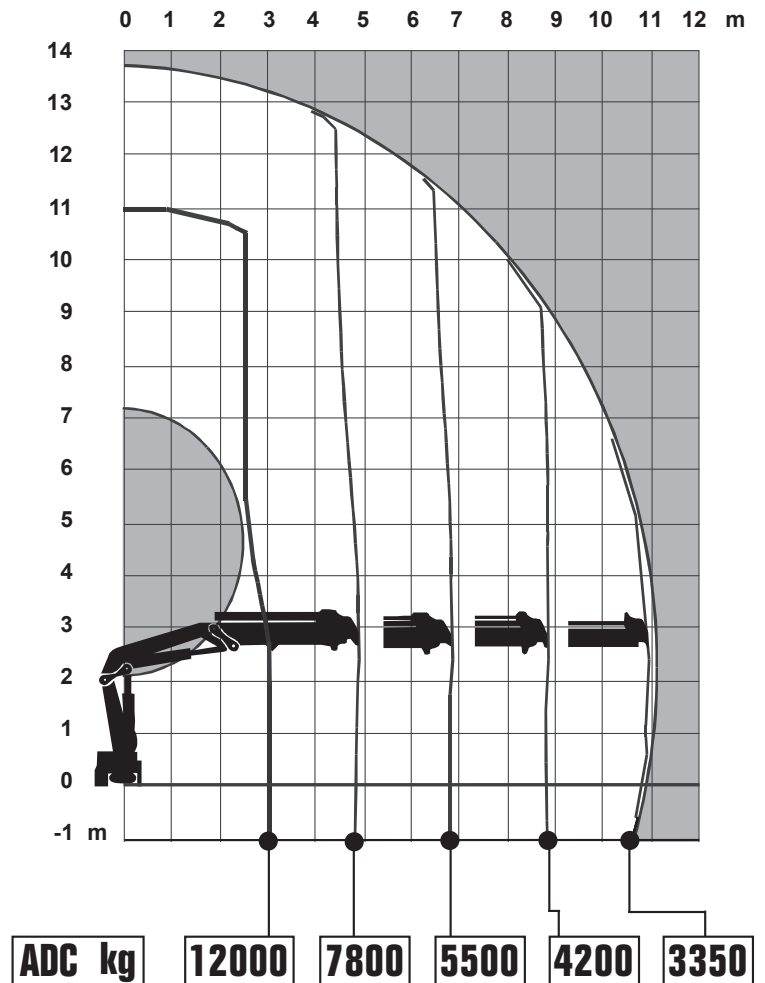
HIAB 422 EP-2 HIDUO 422 EP-3 HIDUO

LOAD DIAGRAM

To the left of the curve the indicated loads can be handled with any loader function provided that the positions of the booms are optimized from a force point of view.



422 EP-2 HIDUO

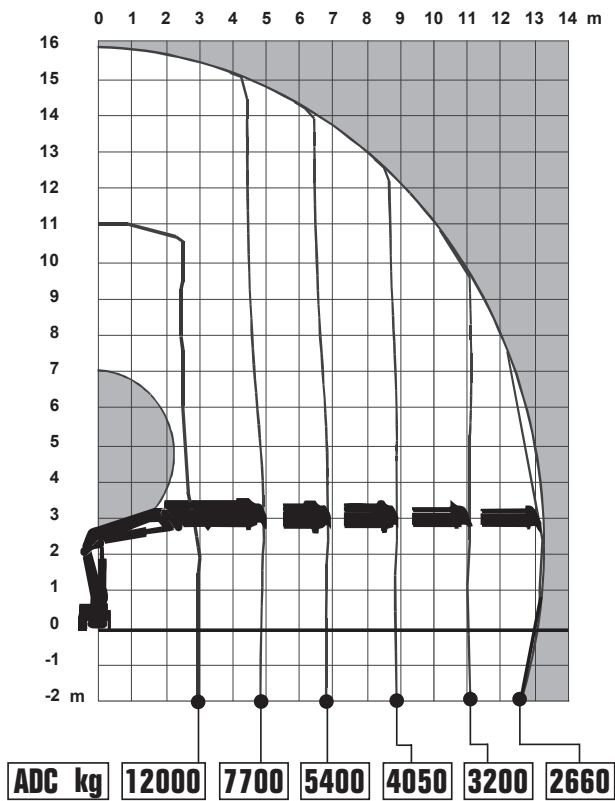


422 EP-3 HIDUO

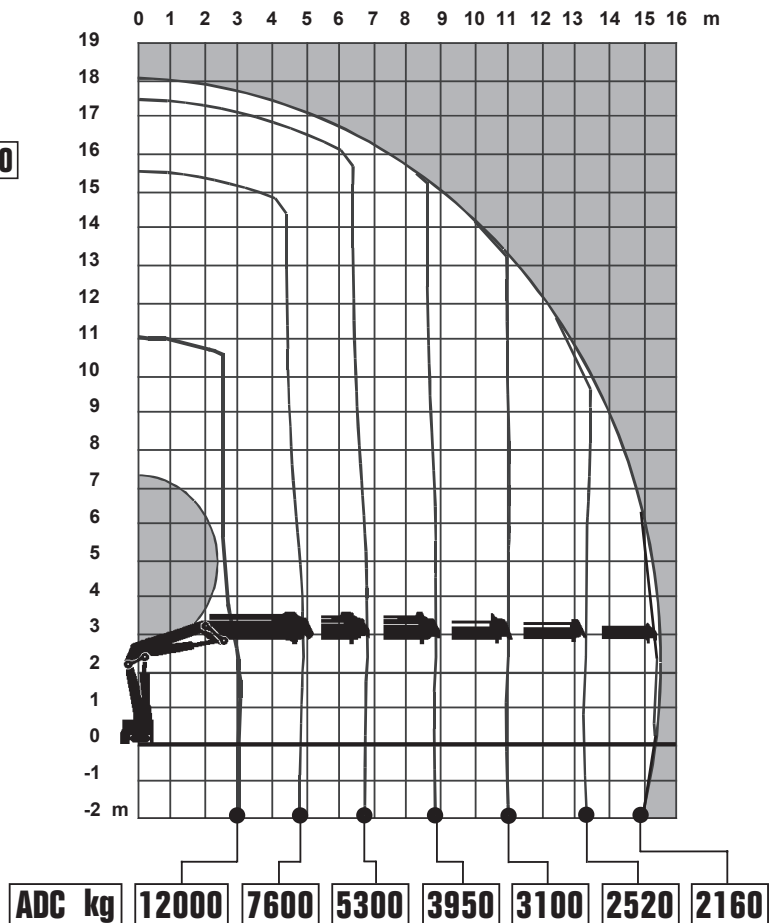
HIAB 422 EP-4 HIDUO 422 EP-5 HIDUO

LOAD DIAGRAM

To the left of the curve the indicated loads can be handled with any loader function provided that the positions of the booms are optimized from a force point of view.



422 EP-4 HIDUO

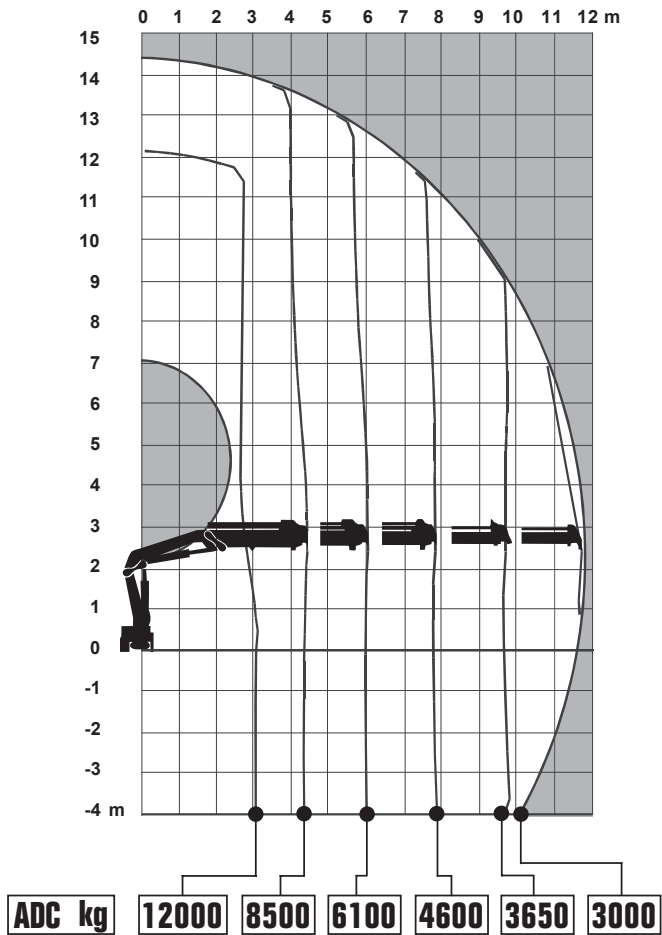


422 EP-5 HIDUO

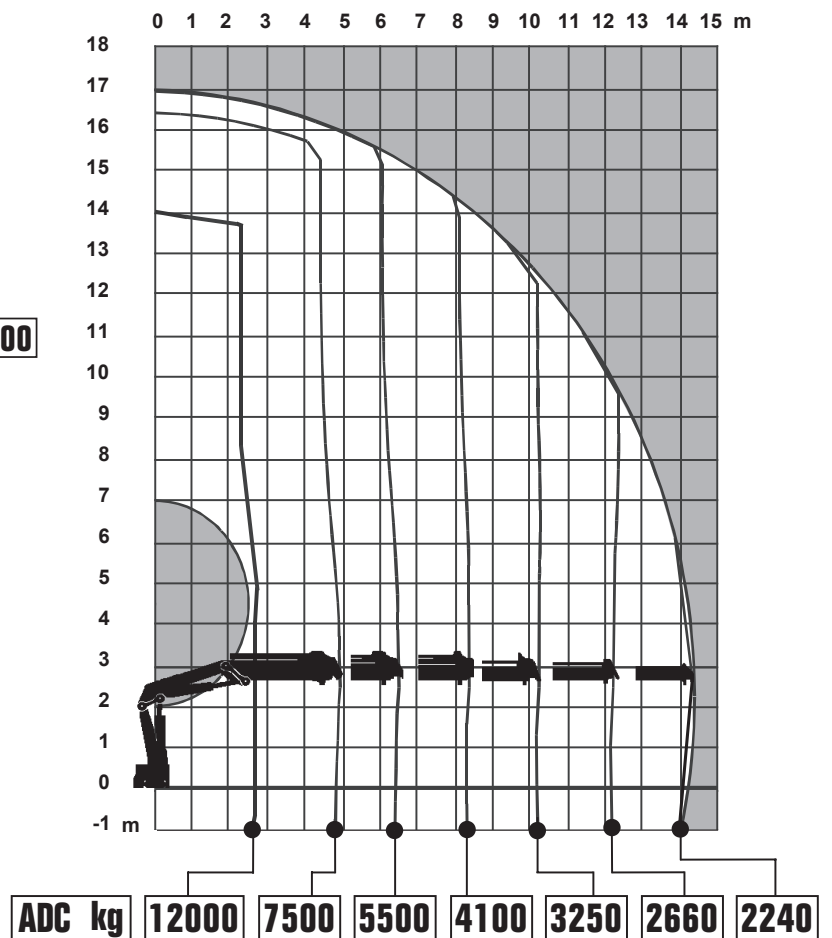
HIAB 422 E-4 HIDUO 422 E-5 HIDUO

LOAD DIAGRAM

To the left of the curve the indicated loads can be handled with any loader function provided that the positions of the booms are optimized from a force point of view.



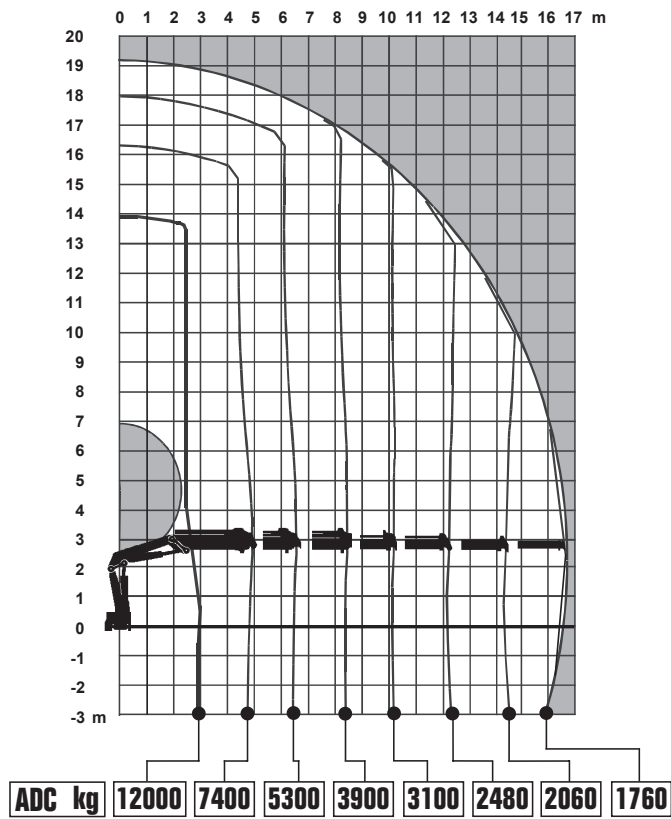
422 E-4 HIDUO



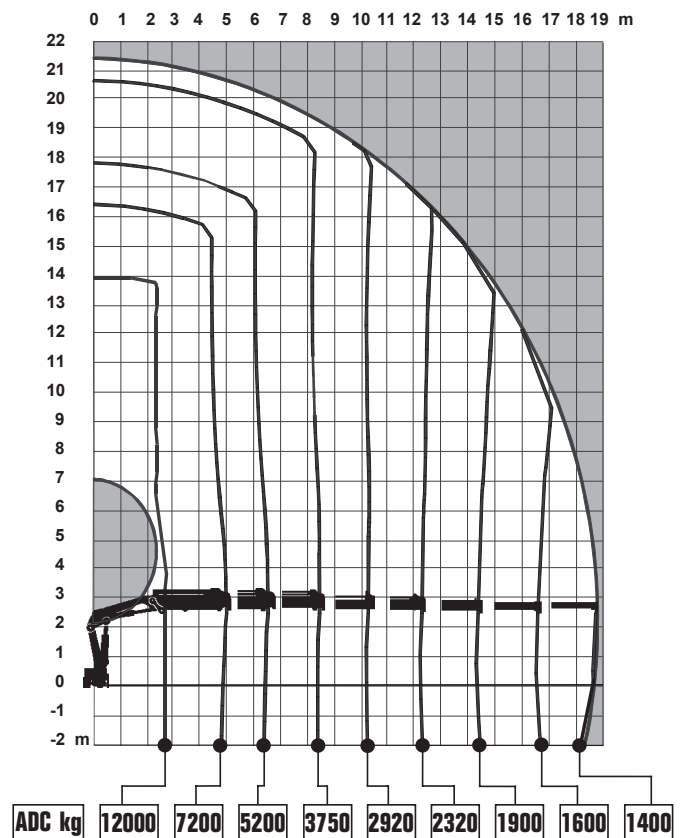
422 E-5 HIDUO

LOAD DIAGRAM

To the left of the curve the indicated loads can be handled with any loader function provided that the positions of the booms are optimized from a force point of view.



422 E-6 HIDUO

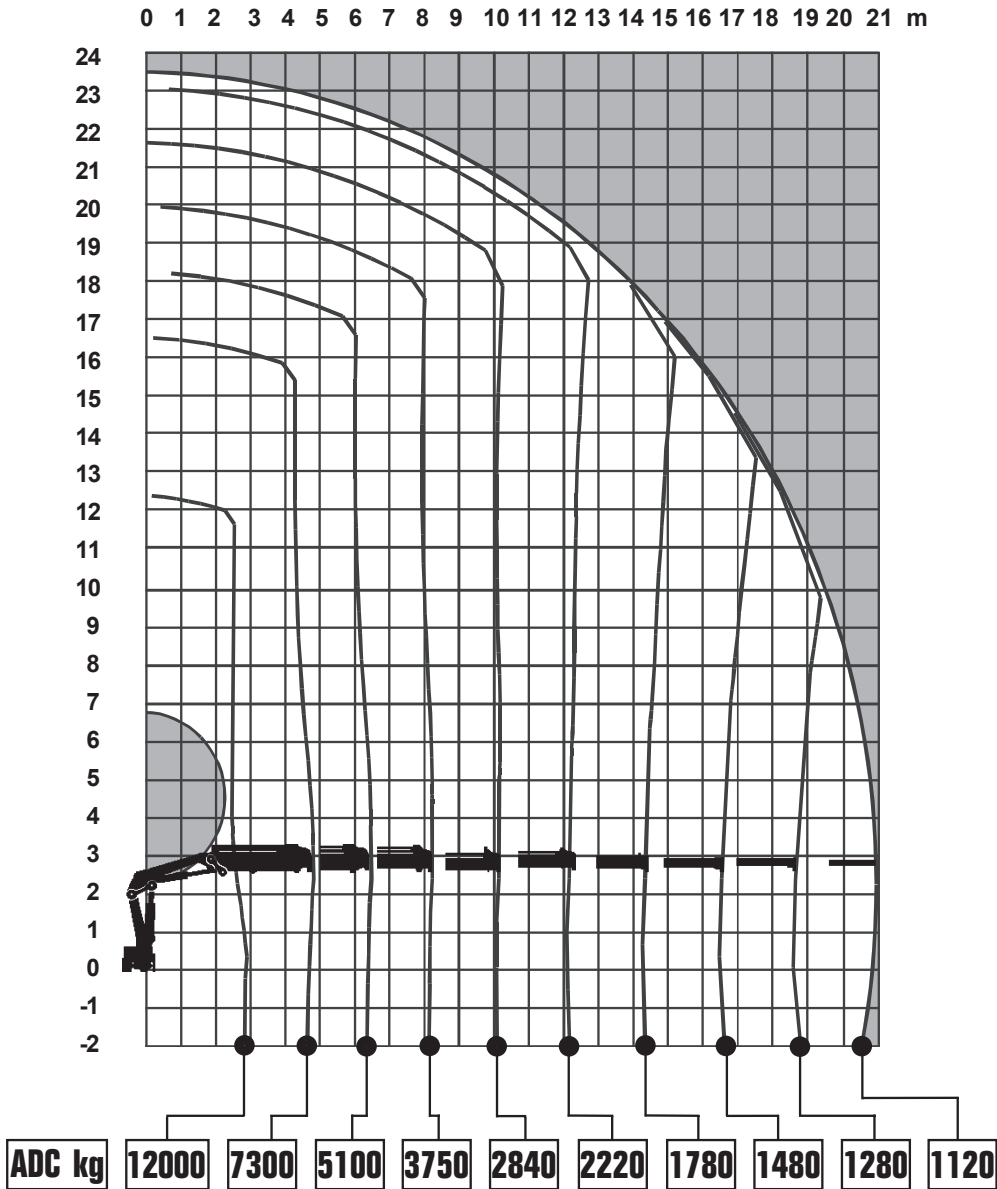


422 E-7 HIDUO

HIAB 422 E-8 HIDUO

LOAD DIAGRAM

To the left of the curve the indicated loads can be handled with any loader function provided that the positions of the booms are optimized from a force point of view.

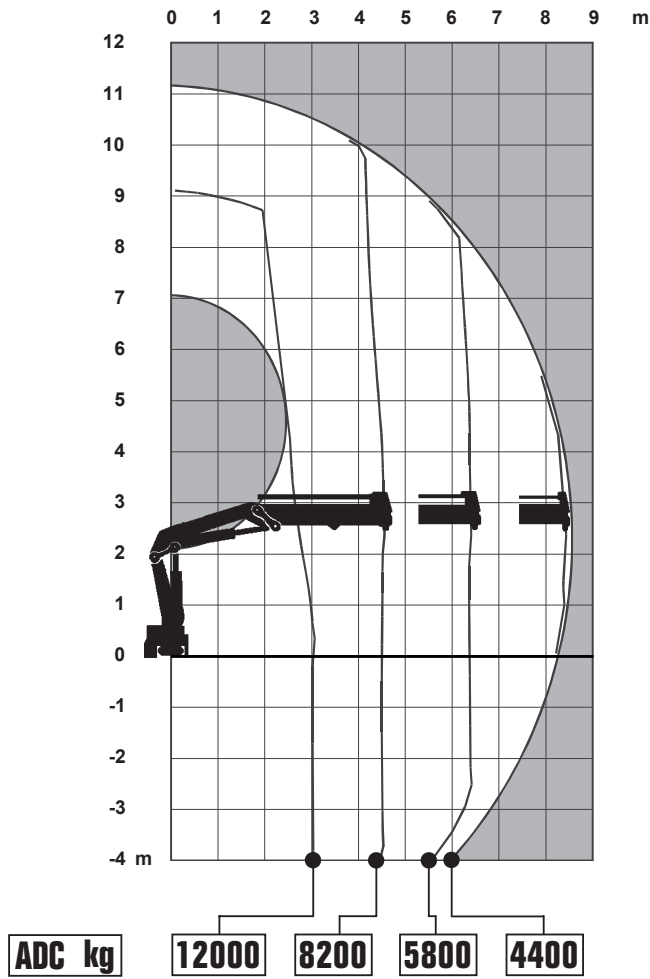


422 E-8 HIDUO

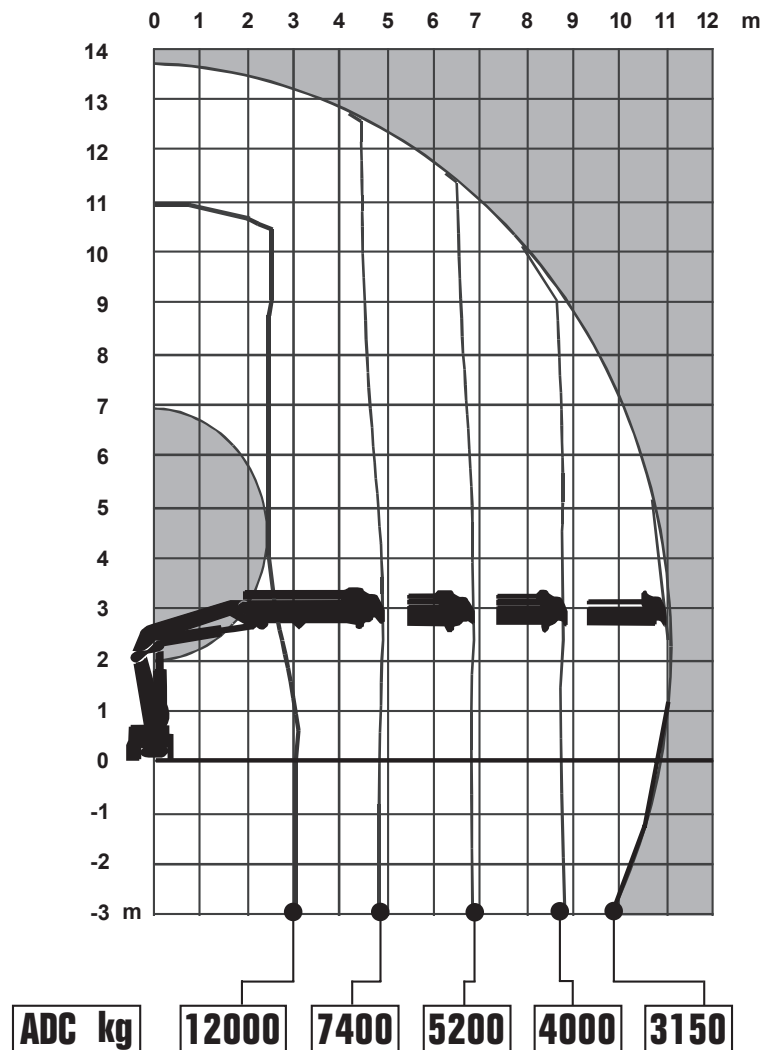
HIAB 422 EP-2 DUO 422 EP-3 DUO

LOAD DIAGRAM

To the left of the curve the indicated loads can be handled with any loader function provided that the positions of the booms are optimized from a force point of view.



422 EP-2 DUO

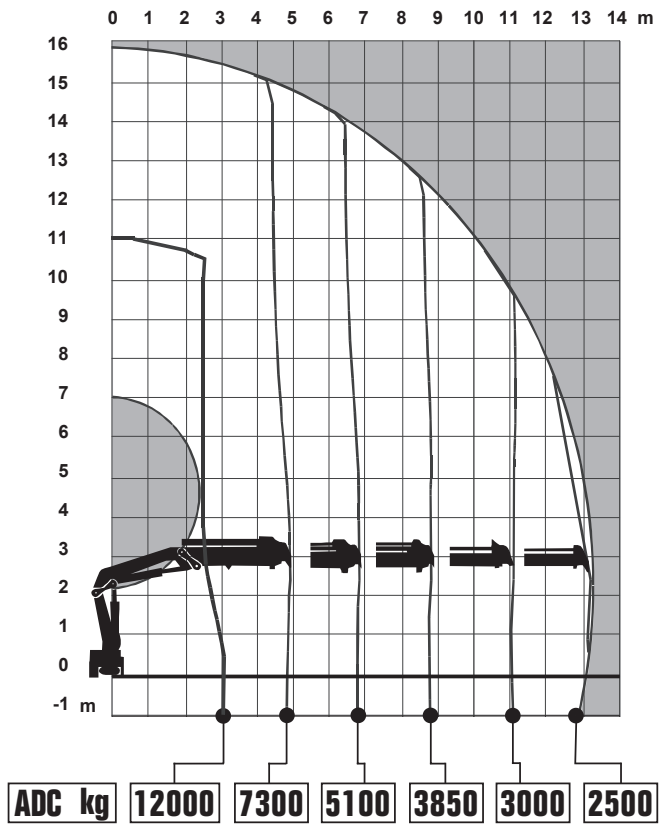


422 EP-3 DUO

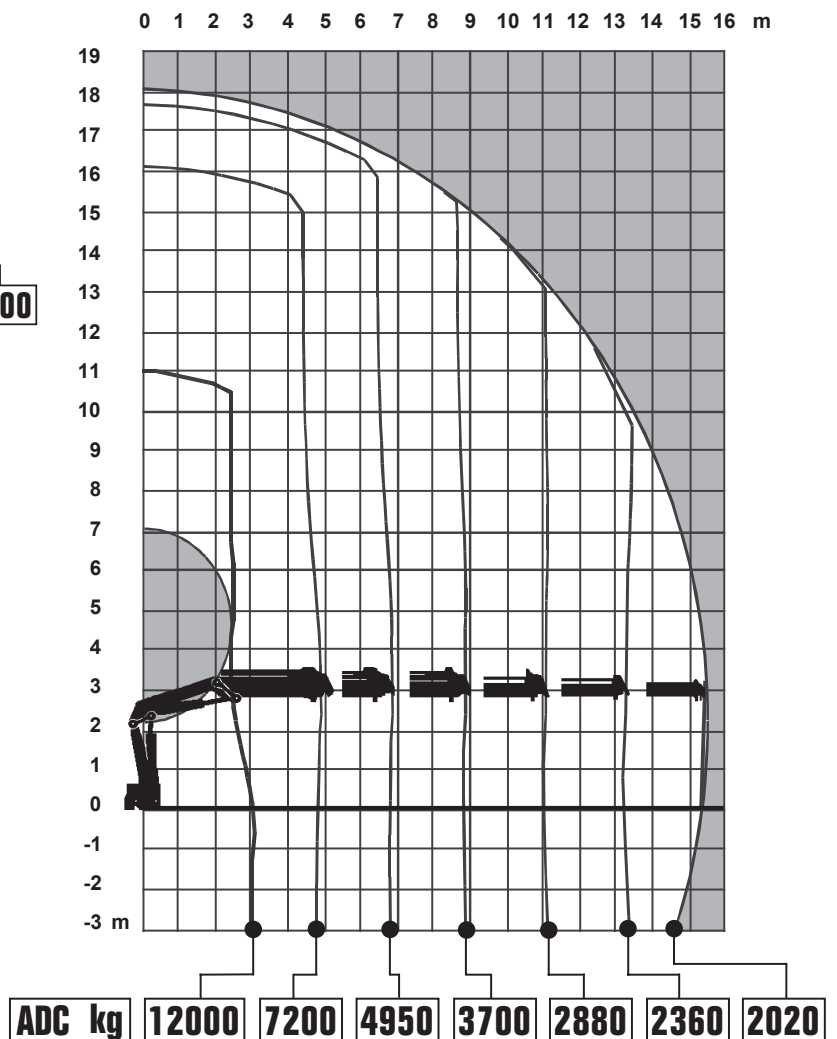
HIAB 422 EP-4 DUO 422 EP-5 DUO

LOAD DIAGRAM

To the left of the curve the indicated loads can be handled with any loader function provided that the positions of the booms are optimized from a force point of view.



422 EP-4 DUO

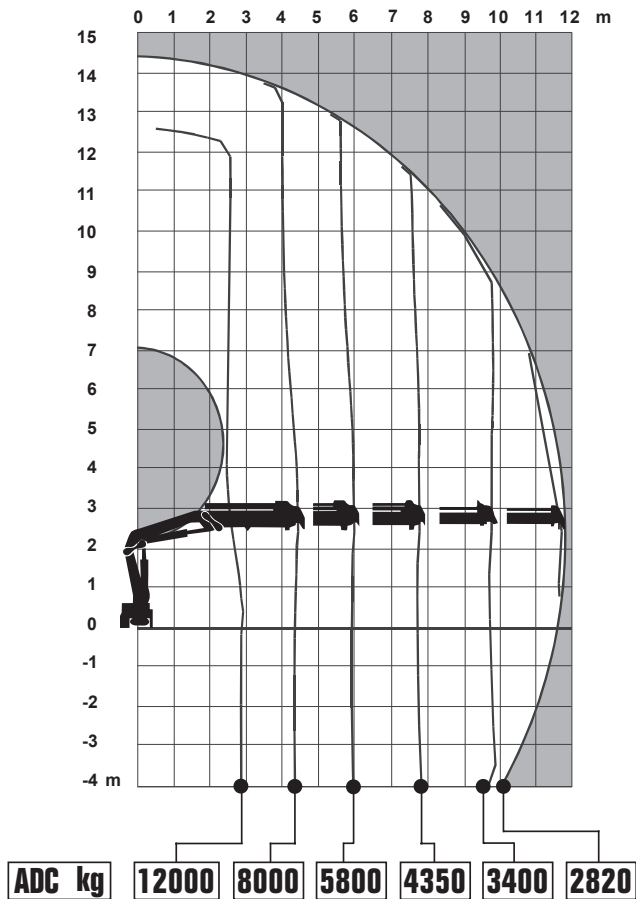


422 EP-5 DUO

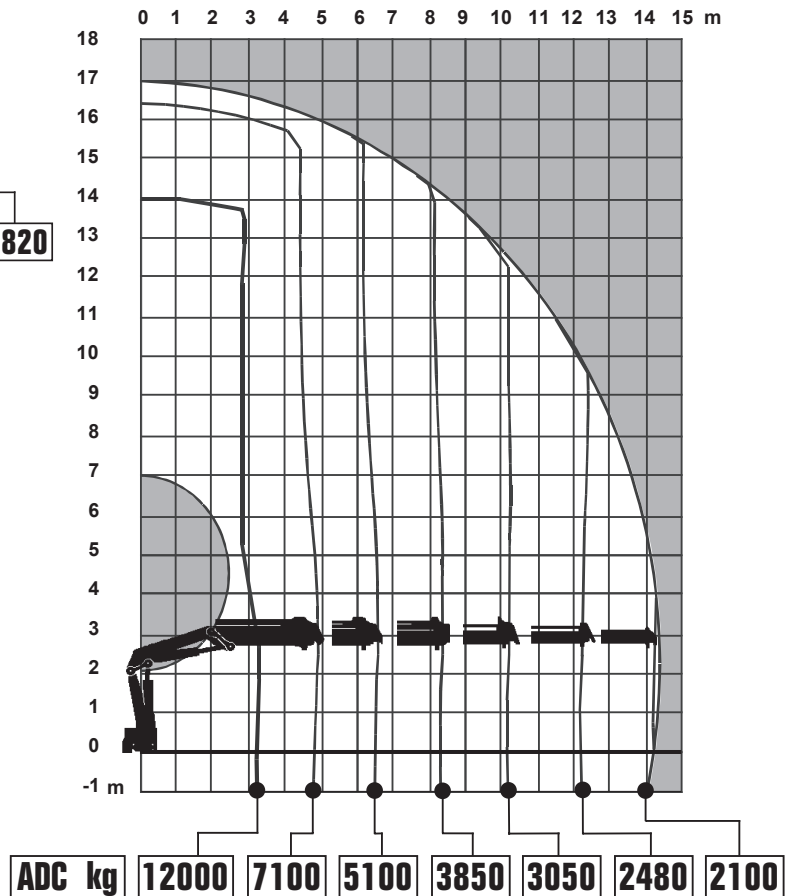
HIAB 422 E-4 DUO 422 E-5 DUO

LOAD DIAGRAM

To the left of the curve the indicated loads can be handled with any loader function provided that the positions of the booms are optimized from a force point of view.



422 E-4 DUO

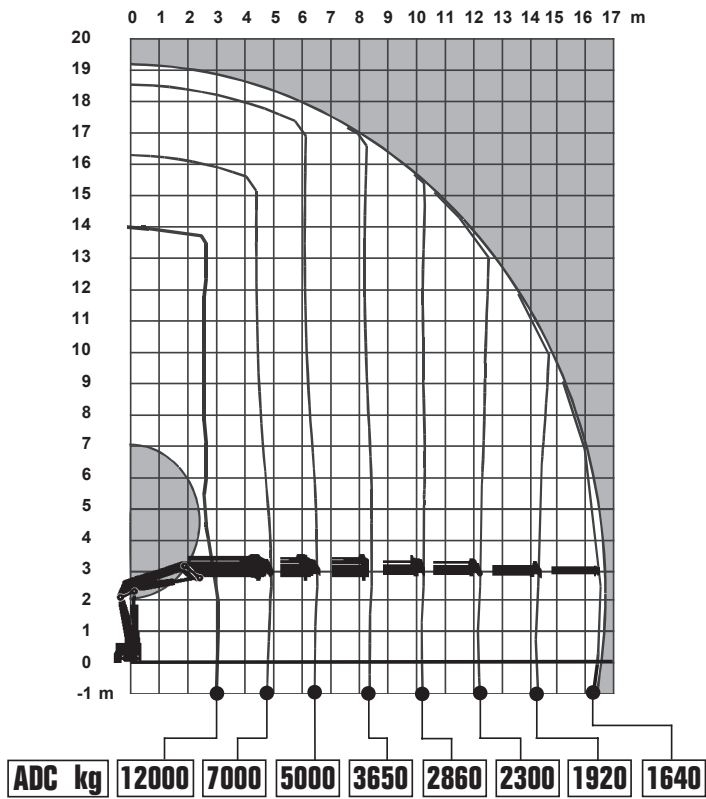


422 E-5 DUO

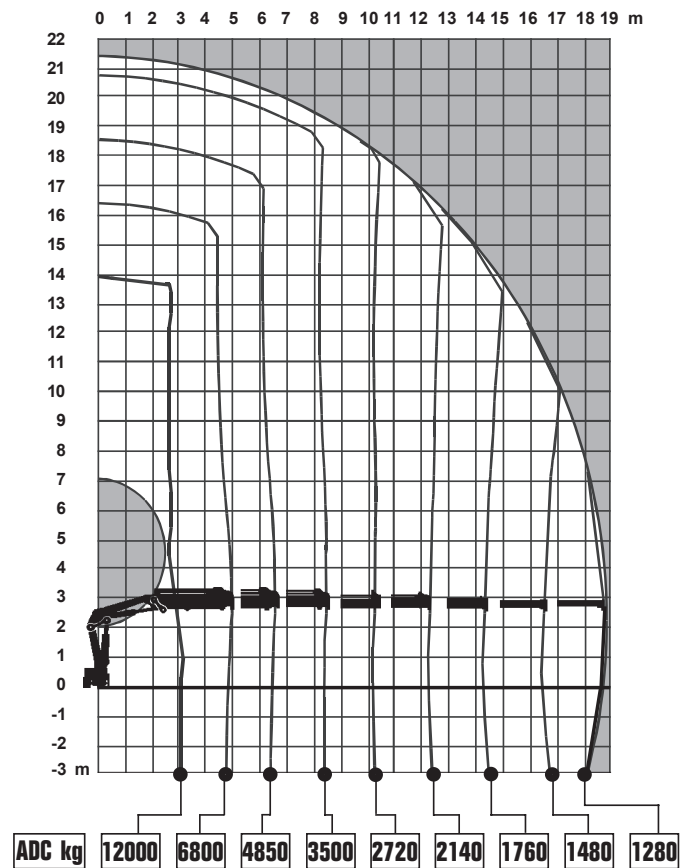
HIAB 422 E-6 DUO 422 E-7 DUO

LOAD DIAGRAM

To the left of the curve the indicated loads can be handled with any loader function provided that the positions of the booms are optimized from a force point of view.



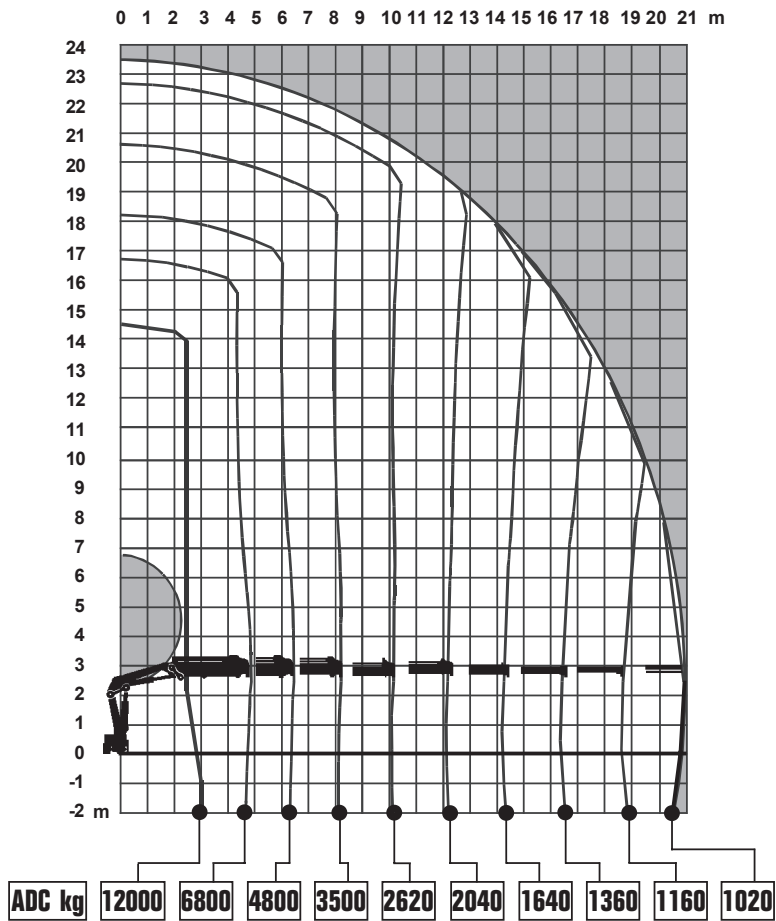
422 E-6 DUO



422 E-7 DUO

LOAD DIAGRAM

To the left of the curve the indicated loads can be handled with any loader function provided that the positions of the booms are optimized from a force point of view.

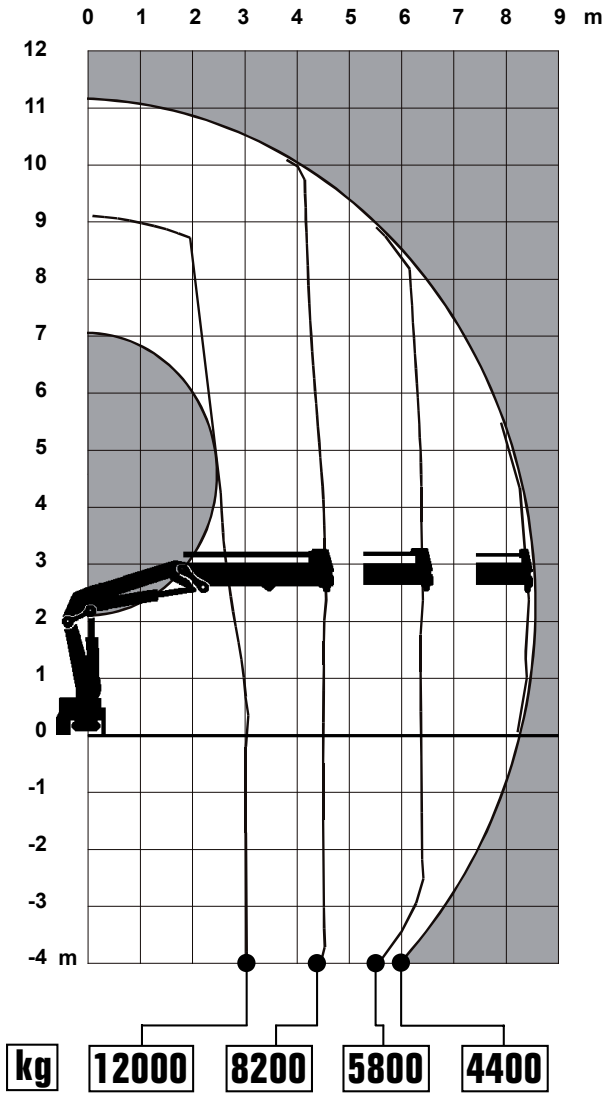


422 E-8 DUO

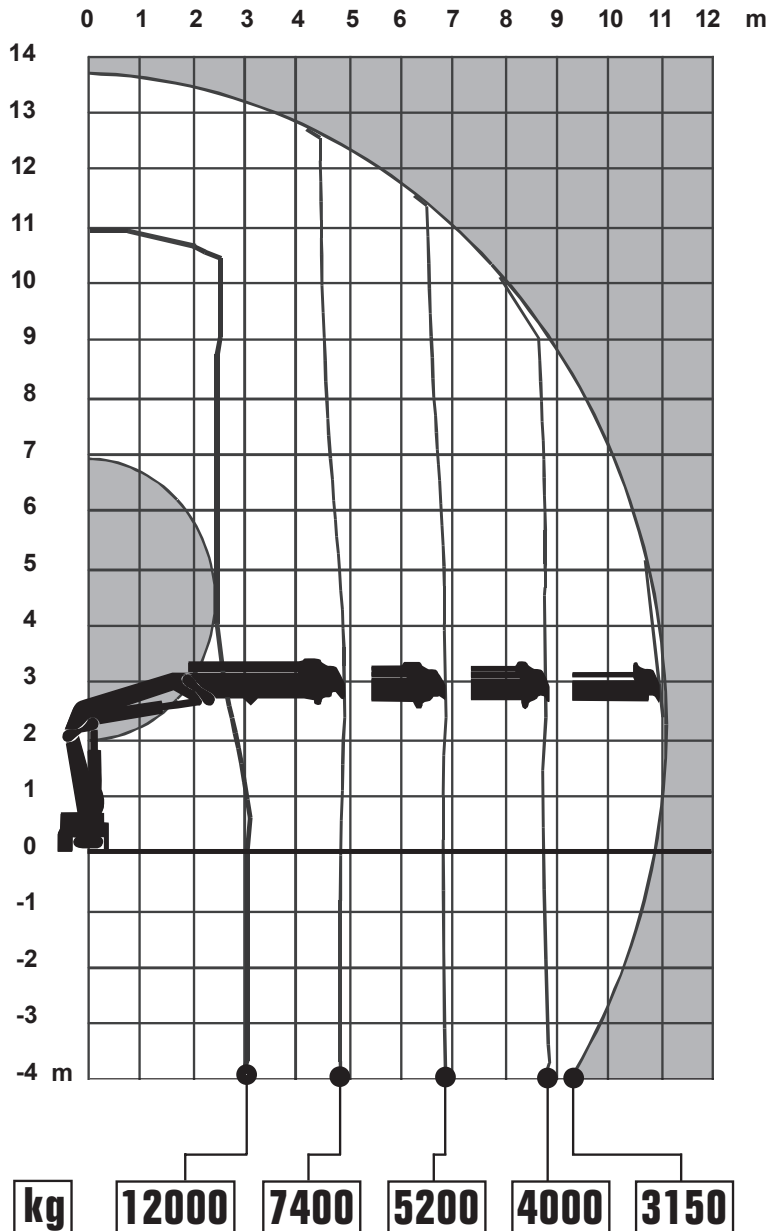
HIAB 422 EP CLX

LOAD DIAGRAM

To the left of the curve the indicated loads can be handled with any loader function provided that the positions of the booms are optimized from a force point of view.



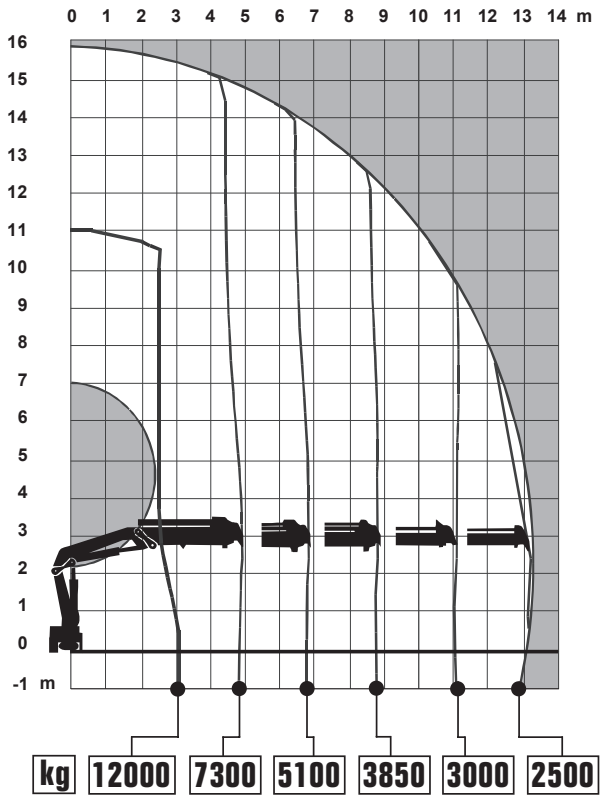
422 EP-2 CLX



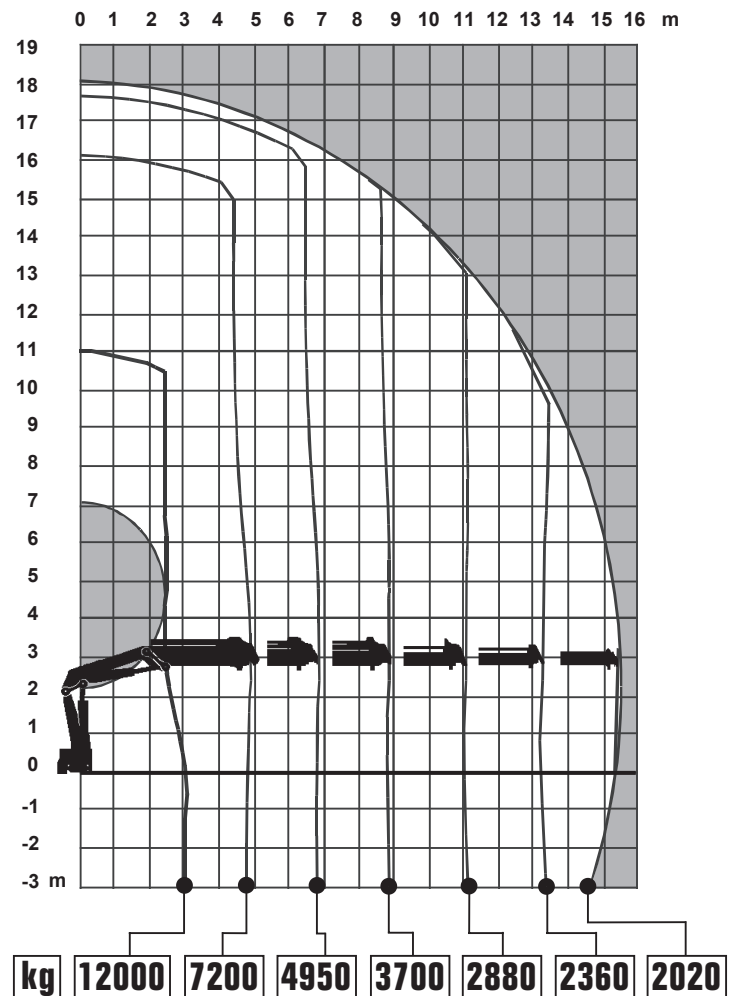
422 EP-3 CLX

LOAD DIAGRAM

To the left of the curve the indicated loads can be handled with any loader function provided that the positions of the booms are optimized from a force point of view.



422 EP-4 CLX

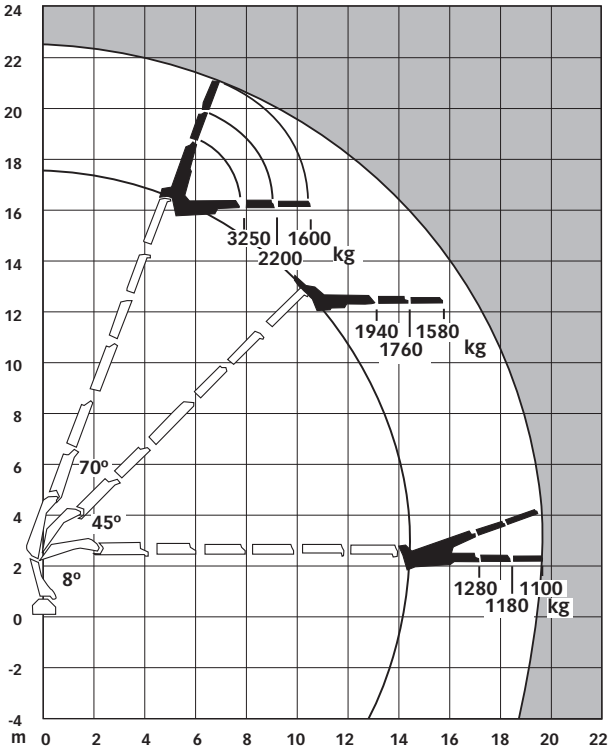


422 EP-5 CLX

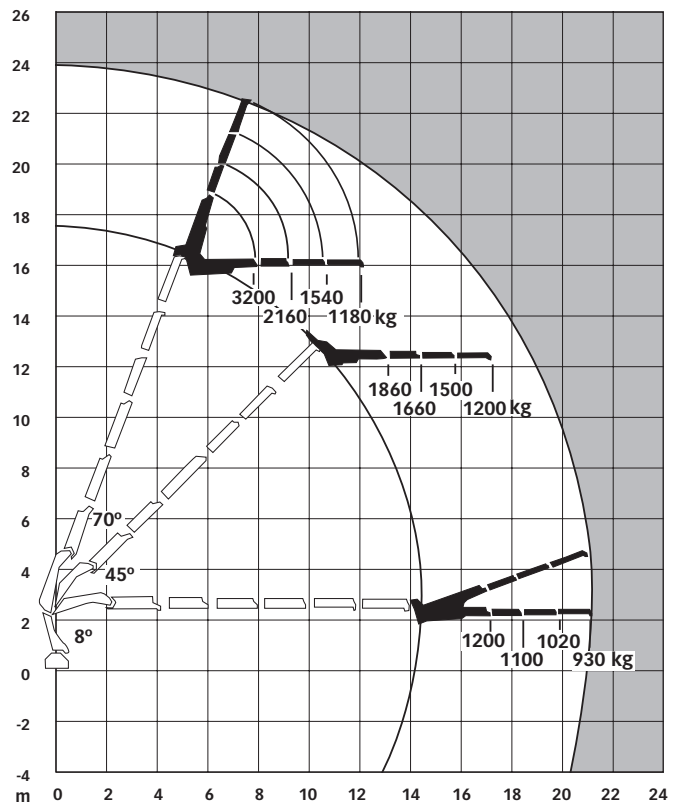
HIAB 422 E-5 + JIB

LOAD DIAGRAM

To the left of the curve the indicated loads can be handled with any loader function provided that the positions of the booms are optimized from a force point of view.



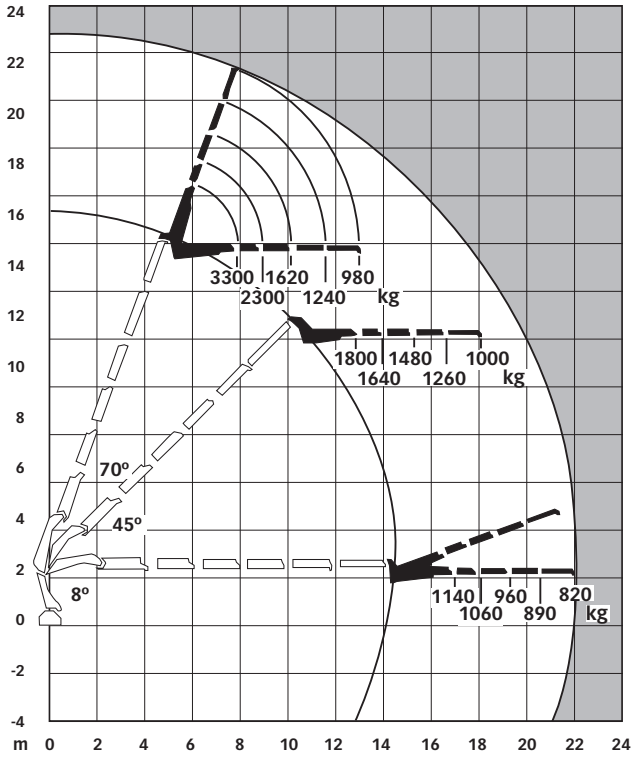
422 E-5 HIPRO JIB 100X-2.3



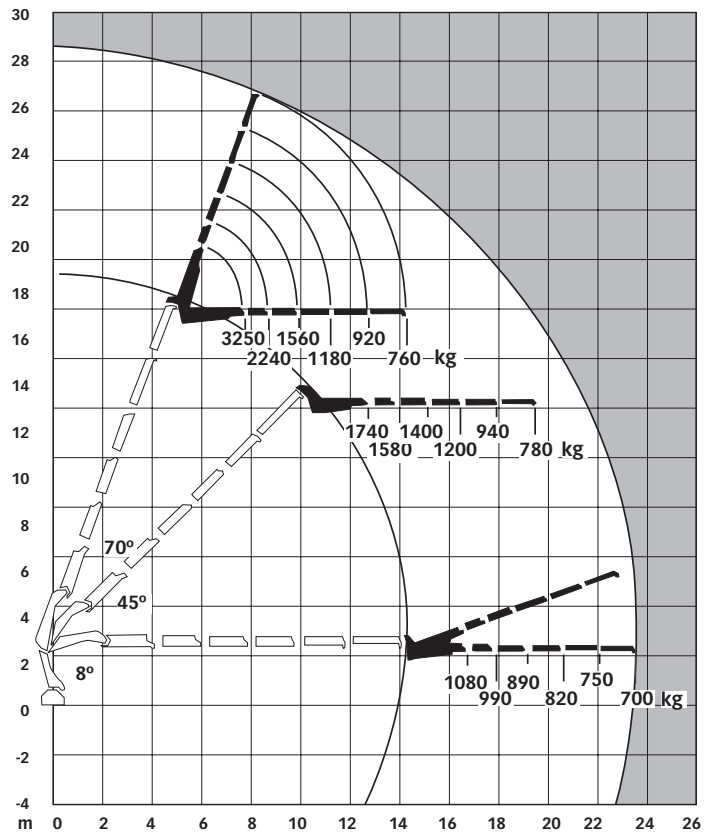
422 E-5 HIPRO JIB 100X-3.3

LOAD DIAGRAM

To the left of the curve the indicated loads can be handled with any loader function provided that the positions of the booms are optimized from a force point of view.



422 E-5 HIPRO JIB 100X-4

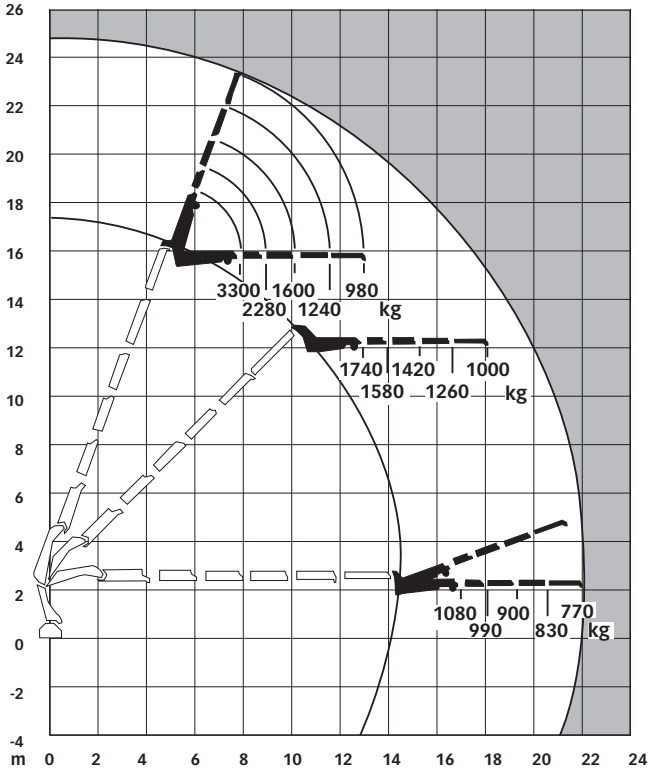


422 E-5 HIPRO JIB 100X-5

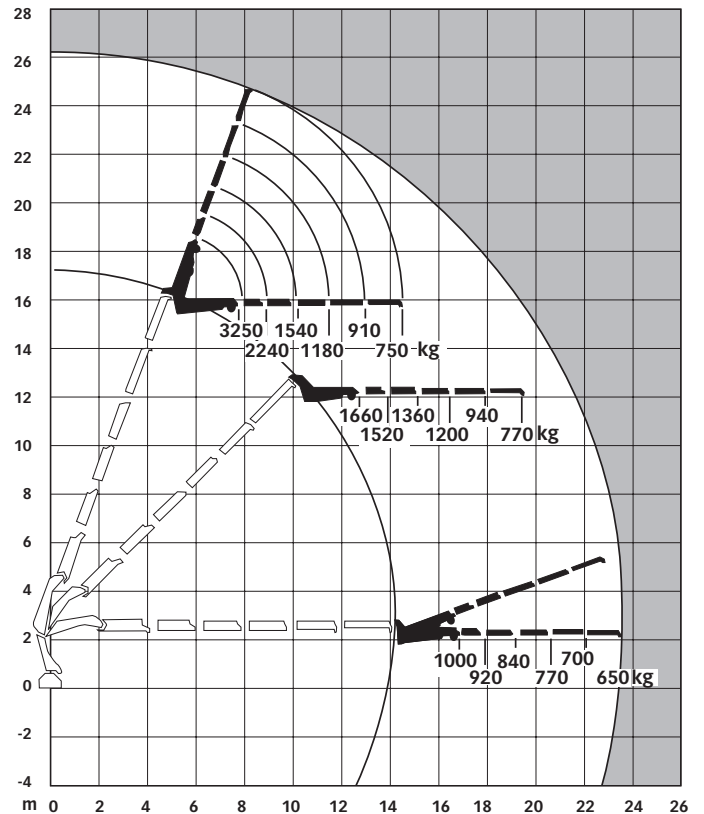
HIAB 422 E-5 + JIB

LOAD DIAGRAM

To the left of the curve the indicated loads can be handled with any loader function provided that the positions of the booms are optimized from a force point of view.



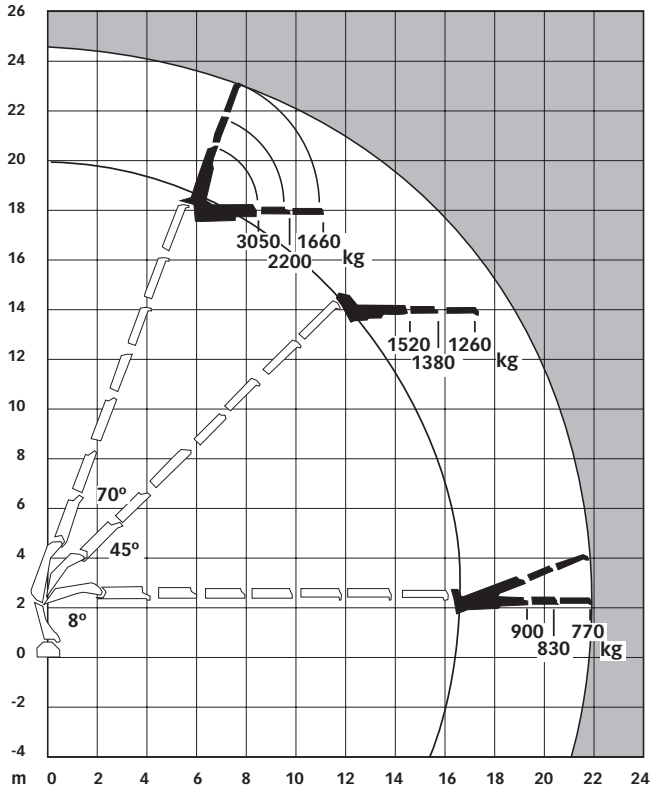
422 E-5 HIPRO JIB 100X-4 + TC1



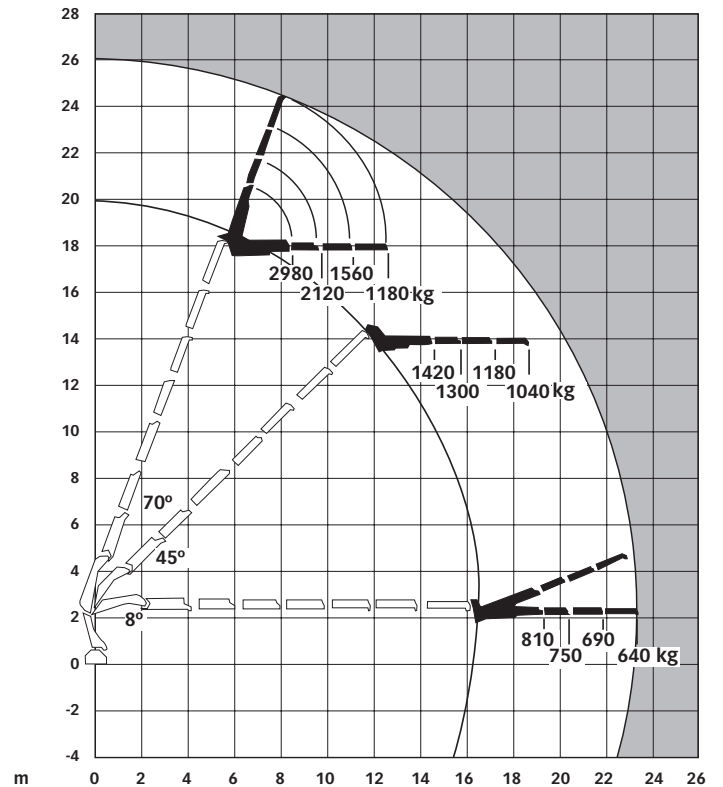
422 E-5 HIPRO JIB 100X-5 + TC1

LOAD DIAGRAM

To the left of the curve the indicated loads can be handled with any loader function provided that the positions of the booms are optimized from a force point of view.



422 E-6 HIPRO JIB 100X-2.3

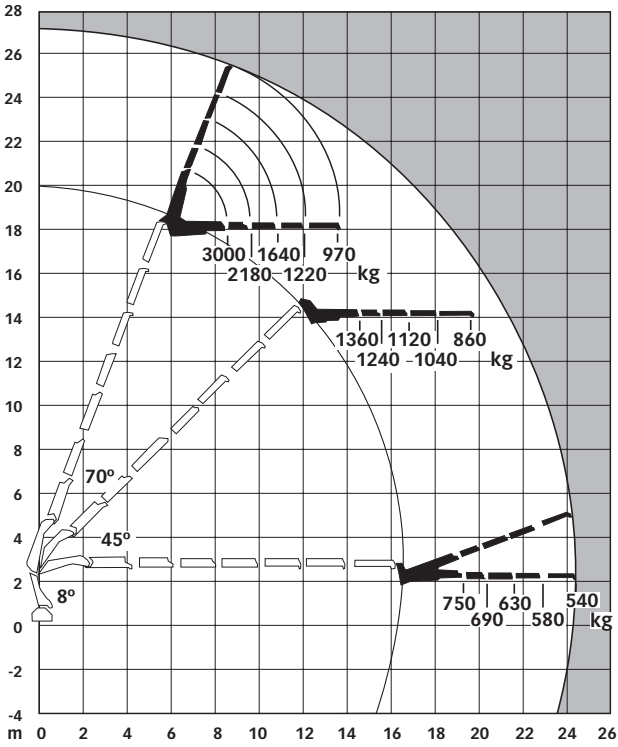


422 E-6 HIPRO JIB 100X-3.3

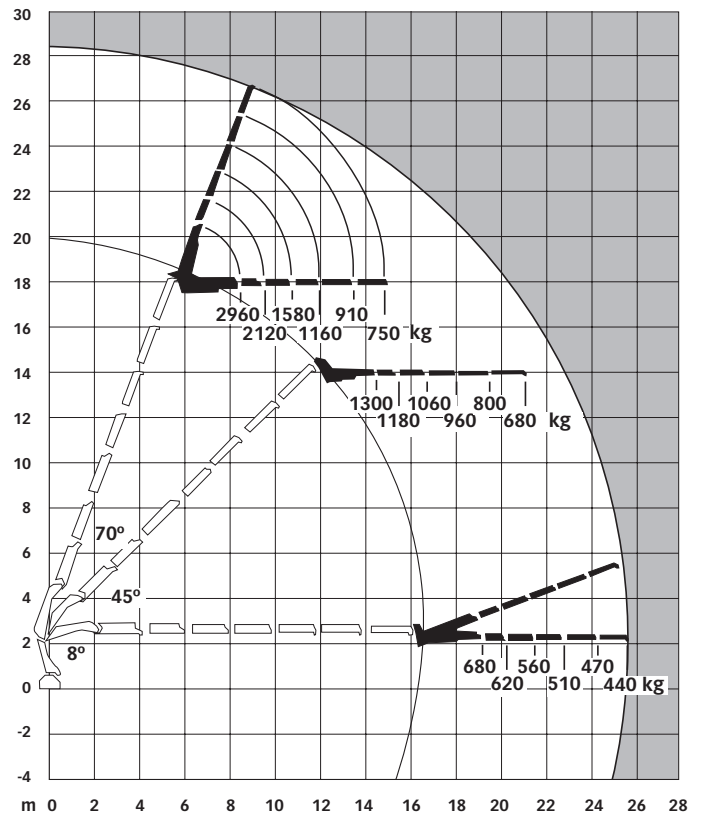
HIAB 422 E-6 + JIB

LOAD DIAGRAM

To the left of the curve the indicated loads can be handled with any loader function provided that the positions of the booms are optimized from a force point of view.



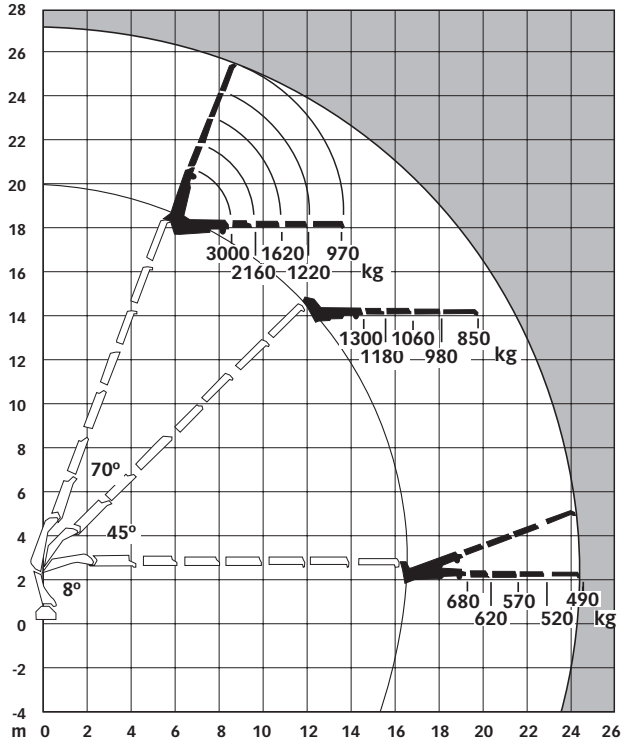
422 E-6 HIPRO JIB 100X-4



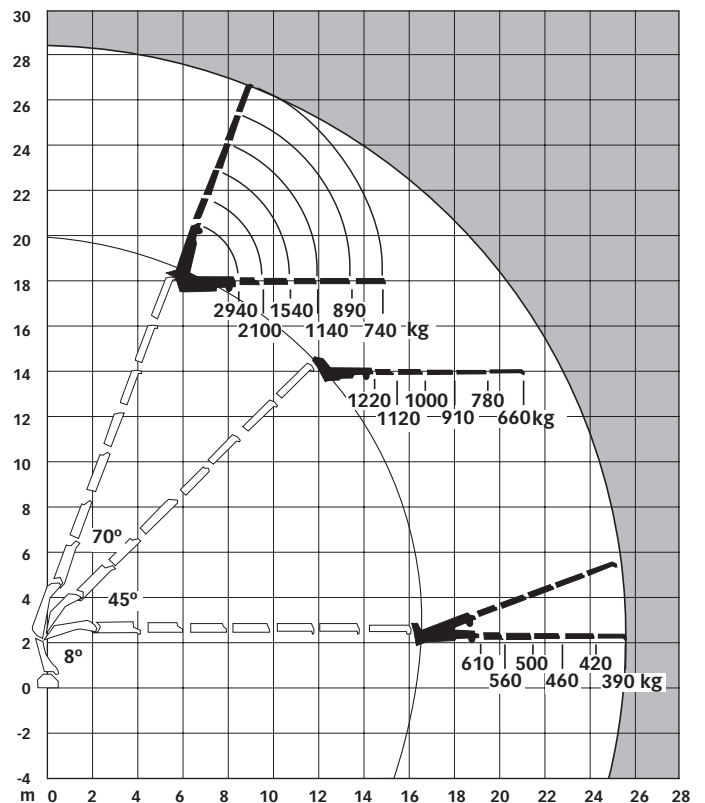
422 E-6 HIPRO JIB 100X-5

LOAD DIAGRAM

To the left of the curve the indicated loads can be handled with any loader function provided that the positions of the booms are optimized from a force point of view.



422 E-6 HIPRO JIB 100X-4 + TC1

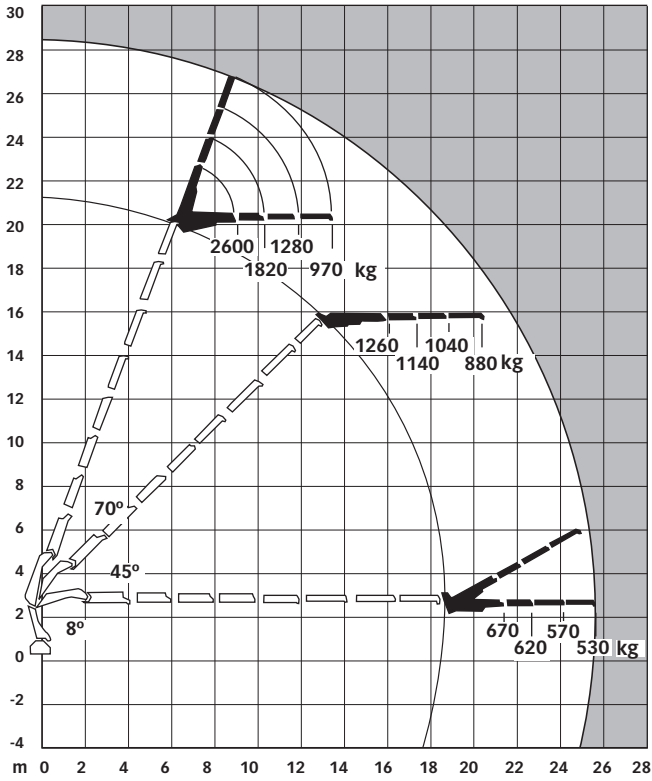


422 E-6 HIPRO JIB 100X-5 + TC1

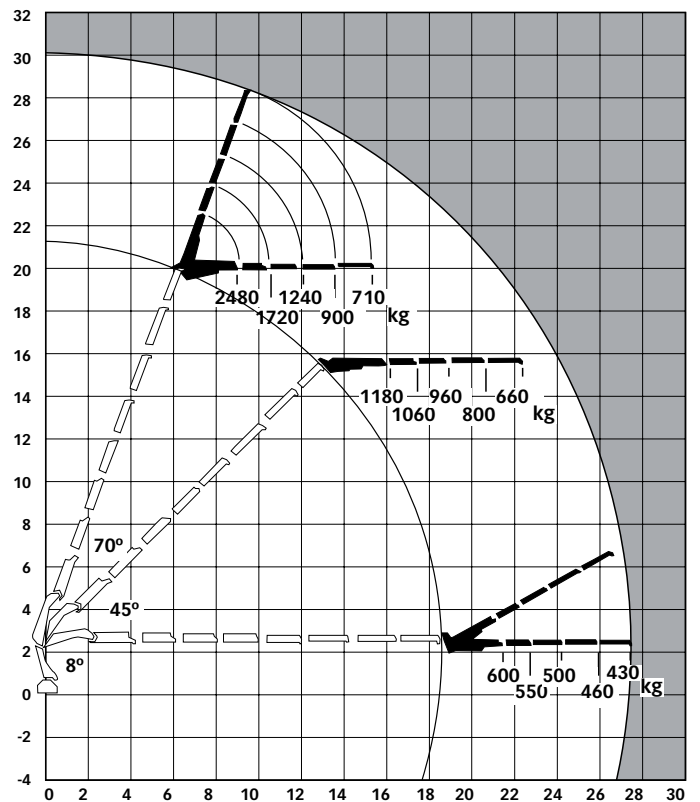
HIAB 422 E-7 + JIB

LOAD DIAGRAM

To the left of the curve the indicated loads can be handled with any loader function provided that the positions of the booms are optimized from a force point of view.



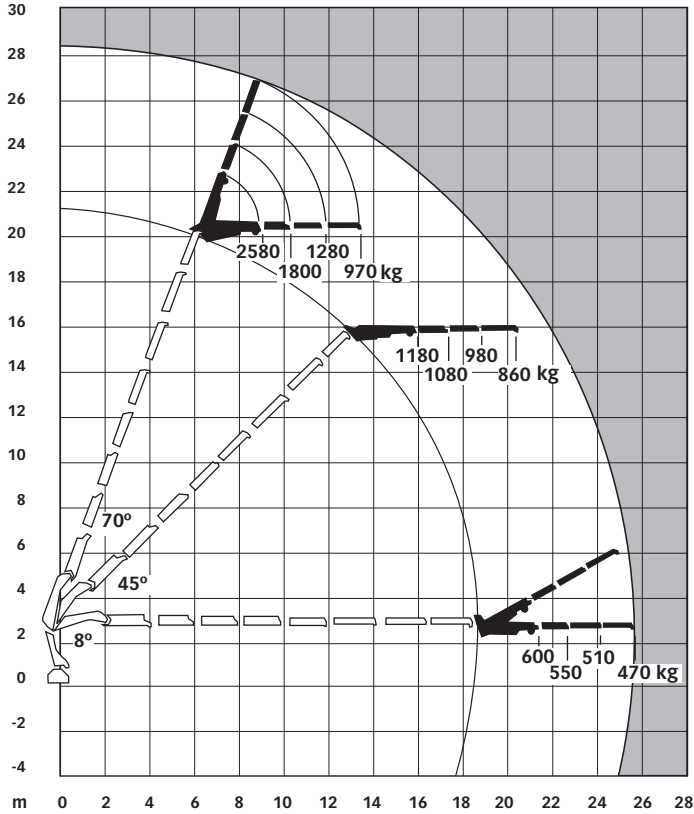
422 E-7 HIPRO JIB 75X-3



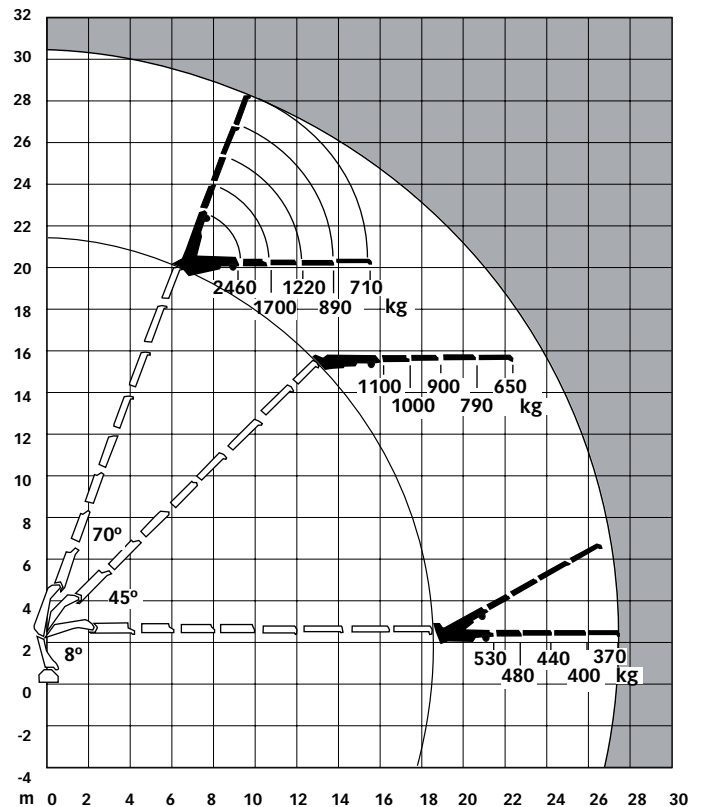
422 E-7 HIPRO JIB 75X-4

LOAD DIAGRAM

To the left of the curve the indicated loads can be handled with any loader function provided that the positions of the booms are optimized from a force point of view.



422 E-7 HIPRO JIB 75X-3 + TC1



422 E-7 HIPRO JIB 75X-4 + TC1

HIAB 422 EP HIPRO

TECHNICAL DATA	HIAB 422 EP-2 HIPRO	HIAB 422 EP-3 HIPRO
Lifting capacity (ADC), max.	395 kNm (40,3 tm)	388 kNm (39,5 tm)
Lifting capacity, max.	366 kNm (37,3 tm)	359 kNm (36,6 tm)
Hydraulic outreach, standard	8,4 m	11,0 m
Hydraulic boom extension	4,0 m	6,2 m
Outreach, manual extension		
Lifting height above installation level, hydr/man	11,1 m /	13,7 m /
Standard Hook Capacity	12000 kg	12000 kg
Outreach-lifting capacity (ADC), standard (1)	3,2 m - 12000 kg 4,5 m - 8900 kg 6,4 m - 6300 kg 8,4 m - 4800 kg	3,2 m - 12000 kg 4,9 m - 8100 kg 6,8 m - 5700 kg 8,8 m - 4350 kg 11,0 m - 3500 kg
Outreach-lifting capacity (ADC), manual extensions		
Outreach-lifting capacity, standard (1)	3,2 m - 11300 kg 4,5 m - 8300 kg 6,4 m - 5800 kg 8,4 m - 4450 kg	3,2 m - 11100 kg 4,9 m - 7500 kg 6,8 m - 5300 kg 8,8 m - 4000 kg 11,0 m - 3200 kg
Rec. oil flow (2)	90 - 120 l./min.	90 - 120 l./min.
Working pressure	35,0 MPa	35,0 MPa
Power needed at rec. oil flow	53 - 70 kW	53 - 70 kW
Slewing angle	400 °	400 °
Max. Slope viable at full capacity	4,8 °	4,7 °
Height in folded position	2404 mm	2503 mm
Width in folded position	2500 mm	2500 mm
Installation space needed (4)	1471 mm / 1617 mm	1471 mm / 1617 mm
Weights:		
Crane in standard version without support legs	3640 kg	3900 kg
Weight of 1 manual		
Weight of 2 manual		
Frame attachments	117 kg	117 kg
Support leg equipment 8m span (5)	780 - 850 kg	780 - 850 kg
Support leg equipment 7m span (6)	650 - 670 kg	650 - 670 kg
Support leg equipment 6.5 m span (7)	630 - 700 kg	630 - 700 kg
Tank incl. Oil	185 kg	185 kg

We reserve the right to introduce changes in design
Designed and strength calculated in accordance with EN 13001 and EN 12999

- 1) Hook on extension –2 (Standard hook 12 t)
- 2) V91M / For high oil flow, variable pump flow recommended
- 4) Without / with external functions (tools)
- 5) Support legs spread 8 m. (min-max)
- 6) Support legs spread 7 m. (min-max)
- 7) Support legs spread 6.5 m. (min-max)

HIAB 422 EP-4 HIPRO	HIAB 422 EP-5 HIPRO
382 kNm (38,9 tm)	377 kNm (38,4 tm)
353 kNm (36,0 tm)	348 kNm (35,5 tm)
13,2 m	15,4 m
8,4 m	10,6 m
15,9 m /	18,1 m /
12000 kg	12000 kg
3,1 m - 12000 kg	3,1 m - 12000 kg
4,9 m - 7900 kg	4,9 m - 7800 kg
6,8 m - 5600 kg	6,8 m - 5500 kg
8,8 m - 4200 kg	8,8 m - 4100 kg
11,0 m - 3350 kg	11,0 m - 3200 kg
13,2 m - 2760 kg	13,2 m - 2620 kg
	15,4 m - 2240 kg
3,1 m - 11200 kg	3,1 m - 11100 kg
4,9 m - 7300 kg	4,9 m - 7200 kg
6,8 m - 5200 kg	6,8 m - 5100 kg
8,8 m - 3850 kg	8,8 m - 3750 kg
11,0 m - 3050 kg	11,0 m - 2920 kg
13,2 m - 2520 kg	13,2 m - 2380 kg
	15,4 m - 2040 kg
90 - 120 l./min.	90 - 120 l./min.
35,0 MPa	35,0 MPa
53 - 70 kW	53 - 70 kW
400 °	400 °
4,7 °	4,7 °
2503 mm	2503 mm
2500 mm	2500 mm
1471 mm / 1617 mm	1471 mm / 1617 mm
4110 kg	4380 kg
117 kg	117 kg
780 - 850 kg	780 - 850 kg
650 - 670 kg	650 - 670 kg
630 - 700 kg	630 - 700 kg
185 kg	185 kg

We reserve the right to introduce changes in design
 Designed and strength calculated in accordance with EN 13001 and EN 12999

- 1) Hook on extension -2 (Standard hook 12 t)
- 2) V91M / For high oil flow, variable pump flow recommended
- 4) Without / with external functions (tools)
- 5) Support legs spread 8 m. (min-max)
- 6) Support legs spread 7 m. (min-max)
- 7) Support legs spread 6.5 m. (min-max)



HIAB 422 E HIPRO

TECHNICAL DATA	HIAB 422 E-4 HIPRO	HIAB 422 E-5 HIPRO
Lifting capacity (ADC), max.	379 kNm (38,6 tm)	374 kNm (38,1 tm)
Lifting capacity, max.	351 kNm (35,8 tm)	345 kNm (35,2 tm)
Hydraulic outreach, standard	11,7 m	14,3 m
Hydraulic boom extension	7,4 m	9,5 m
Outreach, manual extension	14,3 m	16,5 m
Lifting height above installation level, hydr/man	14,4 m / 16,8 m	17,0 m / 19,0 m
Standard Hook Capacity	12000 kg	12000 kg
Outreach-lifting capacity (ADC), standard (1)	3,1 m - 12000 kg 4,4 m - 8800 kg 6,0 m - 6300 kg 7,8 m - 4750 kg 9,7 m - 3750 kg 11,7 m - 3100 kg	3,0 m - 12000 kg 4,9 m - 7800 kg 6,5 m - 5700 kg 8,3 m - 4300 kg 10,2 m - 3400 kg 12,2 m - 2760 kg 14,3 m - 2340 kg
Outreach-lifting capacity (ADC), manual extensions	14,3 m - 2440 kg	16,5 m - 1940 kg
Outreach-lifting capacity, standard (1)	3,1 m - 11300 kg 4,4 m - 8100 kg 6,0 m - 5800 kg 7,8 m - 4350 kg 9,7 m - 3450 kg 11,7 m - 2840 kg	3,0 m - 11400 kg 4,9 m - 7200 kg 6,5 m - 5200 kg 8,3 m - 3950 kg 10,2 m - 3100 kg 12,2 m - 2520 kg 14,3 m - 2120 kg
Rec. oil flow (2)	90 - 120 l./min.	90 - 120 l./min.
Working pressure	35,0 MPa	35,0 MPa
Power needed at rec. oil flow	53 - 70 kW	53 - 70 kW
Slewing angle	400 °	400 °
Max. Slope viable at full capacity	4,8 °	4,7 °
Height in folded position	2404 mm	2404 mm
Width in folded position	2500 mm	2500 mm
Installation space needed (4)	1493 mm / 1568 mm	1493 mm / 1568 mm
Weights:		
Crane in standard version without support legs	4100 kg	4350 kg
Weight of 1 manual	130 kg	87 kg
Weight of 2 manual		
Frame attachments	117 kg	117 kg
Support leg equipment 8m span (5)	780 - 850 kg	780 - 850 kg
Support leg equipment 7m span (6)	650 - 670 kg	650 - 670 kg
Support leg equipment 6.5 m span (7)	630 - 700 kg	630 - 700 kg
Tank incl. Oil	185 kg	185 kg

We reserve the right to introduce changes in design
Designed and strength calculated in accordance with EN 13001 and EN 12999

- 1) Hook on extension –4 (Standard hook 12 t)
- 2) V91M / For high oil flow, variable pump flow recommended
- 3) With refeeding valve
- 4) Without / with external functions (tools)
- 5) Support legs spread 8 m. (min-max)
- 6) Support legs spread 7 m. (min-max)
- 7) Support legs spread 6.5 m. (min-max)

HIAB 422 E-6 HIPRO	HIAB 422 E-7 HIPRO	HIAB 422 E-8 HIPRO
367 kNm (37,4 tm)	361 kNm (36,8 tm)	355 kNm (36,2 tm)
338 kNm (34,5 tm)	332 kNm (33,9 tm)	327 kNm (33,3 tm)
16,5 m	18,7 m	20,8 m
11,7 m	13,9 m	16,1 m
20,2 m	22,7 m	23,0 m
19,2 m / 22,7 m	21,4 m / 25,2 m	23,5 m / 25,5 m
12000 kg	12000 kg	12000 kg
3,0 m - 12000 kg	2,9 m - 12000 kg	2,9 m - 12000 kg
4,9 m - 7600 kg	4,9 m - 7500 kg	4,8 m - 7500 kg
6,5 m - 5500 kg	6,5 m - 5400 kg	6,4 m - 5300 kg
8,4 m - 4050 kg	8,4 m - 3900 kg	8,2 m - 3900 kg
10,2 m - 3200 kg	10,2 m - 3050 kg	10,1 m - 2960 kg
12,2 m - 2580 kg	12,2 m - 2440 kg	12,1 m - 2320 kg
14,3 m - 2160 kg	14,3 m - 2000 kg	14,2 m - 1880 kg
16,5 m - 1840 kg	16,5 m - 1680 kg	16,4 m - 1560 kg
	18,7 m - 1480 kg	18,6 m - 1340 kg
		20,8 m - 1200 kg
18,4 m - 1580 kg	20,5 m - 1260 kg	23,0 m - 1020 kg
20,2 m - 1360 kg	22,7 m - 1100 kg	
3,0 m - 11200 kg	2,9 m - 11400 kg	2,9 m - 11200 kg
4,9 m - 7000 kg	4,9 m - 6900 kg	4,8 m - 6900 kg
6,5 m - 5000 kg	6,5 m - 4950 kg	6,4 m - 4850 kg
8,4 m - 3700 kg	8,4 m - 3550 kg	8,2 m - 3550 kg
10,2 m - 2900 kg	10,2 m - 2760 kg	10,1 m - 2660 kg
12,2 m - 2340 kg	12,2 m - 2180 kg	12,1 m - 2060 kg
14,3 m - 1940 kg	14,3 m - 1780 kg	14,2 m - 1660 kg
16,5 m - 1660 kg	16,5 m - 1500 kg	16,4 m - 1380 kg
	18,7 m - 1320 kg	18,6 m - 1180 kg
		20,8 m - 1060 kg
90 - 120 l./min.	90 - 120 l./min.	90 - 120 l./min.
35,0 MPa	35,0 MPa	35,0 MPa
53 - 70 kW	53 - 70 kW	53 - 70 kW
400 °	400 °	400 °
4,7 °	4,7 °	4,7 °
2404 mm	2404 mm	2490 mm
2500 mm	2500 mm	2500 mm
1493 mm / 1568 mm	1493 mm / 1612 mm	1493 mm / 1612 mm
4540 kg	4700 kg	4840 kg
79 kg	77 kg	58 kg
155 kg	132 kg	
117 kg	117 kg	117 kg
780 - 850 kg	780 - 850 kg	780 - 850 kg
650 - 670 kg	650 - 670 kg	650 - 670 kg
630 - 700 kg	630 - 700 kg	630 - 700 kg
185 kg	185 kg	185 kg

We reserve the right to introduce changes in design
 Designed and strength calculated in accordance with EN 13001 and EN 12999

- 1) Hook on extension -4 (Standard hook 12 t)
- 2) V91M / For high oil flow, variable pump flow recommended
- 3) With refeeding valve
- 4) Without / with external functions (tools)
- 5) Support legs spread 8 m. (min-max)
- 6) Support legs spread 7 m. (min-max)
- 7) Support legs spread 6.5 m. (min-max)

HIAB 422 EP HIDUO

TECHNICAL DATA	HIAB 422 EP-2 HIDUO	HIAB 422 EP-3 HIDUO
Lifting capacity (ADC), max.	382 kNm (39,0 tm)	375 kNm (38,3 tm)
Lifting capacity, max.	354 kNm (36,1 tm)	348 kNm (35,4 tm)
Hydraulic outreach, standard	8,4 m	11,0 m
Hydraulic boom extension	4,0 m	6,2 m
Outreach, manual extension		
Lifting height above installation level, hydr/man	11,1 m /	13,7 m /
Standard Hook Capacity	12000 kg	12000 kg
Outreach-lifting capacity (ADC), standard (1)	3,1 m - 12000 kg 4,5 m - 8700 kg 6,4 m - 6100 kg 8,4 m - 4650 kg	3,0 m - 12000 kg 4,9 m - 7800 kg 6,8 m - 5500 kg 8,8 m - 4200 kg 11,0 m - 3350 kg
Outreach-lifting capacity (ADC), manual extensions		
Outreach-lifting capacity, standard (1)	3,1 m - 11300 kg 4,5 m - 8100 kg 6,4 m - 5600 kg 8,4 m - 4300 kg	3,0 m - 11400 kg 4,9 m - 7200 kg 6,8 m - 5100 kg 8,8 m - 3850 kg 11,0 m - 3100 kg
Rec. oil flow (2)	80 - 90 l./min.	80 - 90 l./min.
Working pressure	33,0 MPa	33,0 MPa
Power needed at rec. oil flow	44 - 50 kW	44 - 50 kW
Slewing angle	400 °	400 °
Max. Slope viable at full capacity	5,0 °	4,9 °
Height in folded position	2404 mm	2503 mm
Width in folded position	2500 mm	2500 mm
Installation space needed (4)	1471 mm / 1617 mm	1471 mm / 1617 mm
Weights:		
Crane in standard version without support legs	3630 kg	3900 kg
Weight of 1 manual		
Weight of 2 manual		
Frame attachments	117 kg	117 kg
Support leg equipment 8m span (5)	780 - 870 kg	780 - 870 kg
Support leg equipment 7m span (6)	650 - 700 kg	650 - 700 kg
Support leg equipment 6.5 m span (7)	620 - 720 kg	620 - 720 kg
Tank incl. Oil	185 kg	185 kg

We reserve the right to introduce changes in design
Designed and strength calculated in accordance with EN 13001 and EN 12999

- 1) Hook on extension –2 (Standard hook 12 t)
- 2) V80R
- 4) Without / with external functions (tools)
- 5) Support legs spread 8 m. (min-max)
- 6) Support legs spread 7 m. (min-max)
- 7) Support legs spread 6.5 m. (min-max)

HIAB 422 EP-4 HIDUO	HIAB 422 EP-5 HIDUO
370 kNm (37,7 tm)	365 kNm (37,2 tm)
342 kNm (34,8 tm)	337 kNm (34,3 tm)
13,2 m	15,4 m
8,4 m	10,6 m
15,9 m /	18,1 m /
12000 kg	12000 kg
3,0 m - 12000 kg	3,0 m - 12000 kg
4,9 m - 7700 kg	4,9 m - 7600 kg
6,8 m - 5400 kg	6,8 m - 5300 kg
8,8 m - 4050 kg	8,8 m - 3950 kg
11,0 m - 3200 kg	11,0 m - 3100 kg
13,2 m - 2660 kg	13,2 m - 2520 kg
	15,4 m - 2160 kg
3,0 m - 11200 kg	3,0 m - 11100 kg
4,9 m - 7100 kg	4,9 m - 7000 kg
6,8 m - 4950 kg	6,8 m - 4850 kg
8,8 m - 3700 kg	8,8 m - 3600 kg
11,0 m - 2940 kg	11,0 m - 2820 kg
13,2 m - 2440 kg	13,2 m - 2300 kg
	15,4 m - 1960 kg
80 - 90 l./min.	80 - 90 l./min.
33,0 MPa	33,0 MPa
44 - 50 kW	44 - 50 kW
400 °	400 °
4,9 °	4,9 °
2503 mm	2503 mm
2500 mm	2500 mm
1471 mm / 1617 mm	1471 mm / 1617 mm
4100 kg	4380 kg
117 kg	117 kg
780 - 870 kg	780 - 870 kg
650 - 700 kg	650 - 700 kg
620 - 720 kg	620 - 720 kg
185 kg	185 kg

We reserve the right to introduce changes in design
 Designed and strength calculated in accordance with EN 13001 and EN 12999

- 1) Hook on extension -2 (Standard hook 12 t)
- 2) V80R
- 4) Without / with external functions (tools)
- 5) Support legs spread 8 m. (min-max)
- 6) Support legs spread 7 m. (min-max)
- 7) Support legs spread 6.5 m. (min-max)

TECHNICAL DATA	HIAB 422 E-4 HIDUO	HIAB 422 E-5 HIDUO
Lifting capacity (ADC), max.	367 kNm (37,4 tm)	361 kNm (36,8 tm)
Lifting capacity, max.	339 kNm (34,6 tm)	334 kNm (34,0 tm)
Hydraulic outreach, standard	11,7 m	14,3 m
Hydraulic boom extension	7,4 m	9,5 m
Outreach, manual extension	14,3 m	16,5 m
Lifting height above installation level, hydr/man	14,4 m / 16,8 m	17,0 m / 19,0 m
Standard Hook Capacity	12000 kg	12000 kg
Outreach-lifting capacity (ADC), standard (1)	3,0 m - 12000 kg 4,4 m - 8500 kg 6,0 m - 6100 kg 7,8 m - 4600 kg 9,7 m - 3650 kg 11,7 m - 3000 kg	2,9 m - 12000 kg 4,9 m - 7500 kg 6,5 m - 5500 kg 8,3 m - 4100 kg 10,2 m - 3250 kg 12,2 m - 2660 kg 14,3 m - 2240 kg
Outreach-lifting capacity (ADC), manual extensions	14,3 m - 2360 kg	16,5 m - 1860 kg
Outreach-lifting capacity, standard (1)	3,0 m - 11200 kg 4,4 m - 7900 kg 6,0 m - 5600 kg 7,8 m - 4250 kg 9,7 m - 3350 kg 11,7 m - 2740 kg	2,9 m - 11300 kg 4,9 m - 6900 kg 6,5 m - 5100 kg 8,3 m - 3750 kg 10,2 m - 2960 kg 12,2 m - 2420 kg 14,3 m - 2040 kg
Rec. oil flow (2)	80 - 90 l./min.	80 - 90 l./min.
Working pressure	33,0 MPa	33,0 MPa
Power needed at rec. oil flow	44 - 50 kW	44 - 50 kW
Slewing angle	400 °	400 °
Max. Slope viable at full capacity	5,0 °	4,9 °
Height in folded position	2404 mm	2404 mm
Width in folded position	2500 mm	2500 mm
Installation space needed (4)	1493 mm / 1568 mm	1493 mm / 1568 mm
Weights:		
Crane in standard version without support legs	4100 kg	4340 kg
Weight of 1 manual	130 kg	87 kg
Weight of 2 manual		
Frame attachments	117 kg	117 kg
Support leg equipment 8m span (5)	780 - 870 kg	780 - 870 kg
Support leg equipment 7m span (6)	650 - 700 kg	650 - 700 kg
Support leg equipment 6.5 m span (7)	620 - 720 kg	620 - 720 kg
Tank incl. Oil	185 kg	185 kg

We reserve the right to introduce changes in design
Designed and strength calculated in accordance with EN 13001 and EN 12999

- 1) Hook on extension –4 (Standard hook 12 t)
- 2) V80R
- 3) With refeeding valve
- 4) Without / with external functions (tools)
- 5) Support legs spread 8 m. (min-max)
- 6) Support legs spread 7 m. (min-max)
- 7) Support legs spread 6.5 m. (min-max)

HIAB 422 E-6 HIDUO	HIAB 422 E-7 HIDUO	HIAB 422 E-8 HIDUO
355 kNm (36,2 tm)	349 kNm (35,5 tm)	343 kNm (35,0 tm)
327 kNm (33,3 tm)	321 kNm (32,7 tm)	315 kNm (32,1 tm)
16,5 m	18,7 m	20,8 m
11,7 m	13,9 m	16,1 m
20,2 m	22,7 m	23,0 m
19,2 m / 22,7 m	21,4 m / 25,2 m	23,5 m / 25,5 m
12000 kg	12000 kg	12000 kg
2,9 m - 12000 kg	2,8 m - 12000 kg	2,8 m - 12000 kg
4,9 m - 7400 kg	4,9 m - 7200 kg	4,8 m - 7300 kg
6,5 m - 5300 kg	6,5 m - 5200 kg	6,4 m - 5100 kg
8,4 m - 3900 kg	8,4 m - 3750 kg	8,2 m - 3750 kg
10,2 m - 3100 kg	10,2 m - 2920 kg	10,1 m - 2840 kg
12,2 m - 2480 kg	12,2 m - 2320 kg	12,1 m - 2220 kg
14,3 m - 2060 kg	14,3 m - 1900 kg	14,2 m - 1780 kg
16,5 m - 1760 kg	16,5 m - 1600 kg	16,4 m - 1480 kg
	18,7 m - 1400 kg	18,6 m - 1280 kg
		20,8 m - 1120 kg
18,4 m - 1520 kg	20,5 m - 1200 kg	23,0 m - 950 kg
20,2 m - 1300 kg	22,7 m - 1040 kg	
2,9 m - 11100 kg	2,8 m - 11300 kg	2,8 m - 11200 kg
4,9 m - 6800 kg	4,9 m - 6600 kg	4,8 m - 6700 kg
6,5 m - 4850 kg	6,5 m - 4750 kg	6,4 m - 4650 kg
8,4 m - 3550 kg	8,4 m - 3400 kg	8,2 m - 3400 kg
10,2 m - 2800 kg	10,2 m - 2640 kg	10,1 m - 2540 kg
12,2 m - 2240 kg	12,2 m - 2080 kg	12,1 m - 1980 kg
14,3 m - 1860 kg	14,3 m - 1700 kg	14,2 m - 1580 kg
16,5 m - 1580 kg	16,5 m - 1420 kg	16,4 m - 1300 kg
	18,7 m - 1240 kg	18,6 m - 1120 kg
		20,8 m - 980 kg
80 - 90 l./min.	80 - 90 l./min.	80 - 90 l./min.
33,0 MPa	33,0 MPa	33,0 MPa
44 - 50 kW	44 - 50 kW	44 - 50 kW
400 °	400 °	400 °
4,9 °	4,9 °	4,9 °
2404 mm	2404 mm	2490 mm
2500 mm	2500 mm	2500 mm
1493 mm / 1568 mm	1493 mm / 1612 mm	1493 mm / 1612 mm
4530 kg	4690 kg	4830 kg
79 kg	77 kg	58 kg
155 kg	132 kg	
117 kg	117 kg	117 kg
780 - 870 kg	780 - 870 kg	780 - 870 kg
650 - 700 kg	650 - 700 kg	650 - 700 kg
620 - 720 kg	620 - 720 kg	620 - 720 kg
185 kg	185 kg	185 kg

We reserve the right to introduce changes in design
 Designed and strength calculated in accordance with EN 13001 and EN 12999

- 1) Hook on extension -4 (Standard hook 12 t)
- 2) V80R
- 3) With refeeding valve
- 4) Without / with external functions (tools)
- 5) Support legs spread 8 m. (min-max)
- 6) Support legs spread 7 m. (min-max)
- 7) Support legs spread 6.5 m. (min-max)



HIAB 422 EP DUO

TECHNICAL DATA	HIAB 422 EP-2 DUO	HIAB 422 EP-3 DUO
Lifting capacity (ADC), max.	362 kNm (37,0 tm)	355 kNm (36,2 tm)
Lifting capacity, max.	336 kNm (34,2 tm)	329 kNm (33,5 tm)
Hydraulic outreach, standard	8,4 m	11,0 m
Hydraulic boom extension	4,0 m	6,2 m
Outreach, manual extension		
Lifting height above installation level, hydr/man	11,1 m /	13,7 m /
Standard Hook Capacity	12000 kg	12000 kg
Outreach-lifting capacity (ADC), standard (1)	2,9 m - 12000 kg 4,5 m - 8200 kg 6,4 m - 5800 kg 8,4 m - 4400 kg	2,9 m - 12000 kg 4,9 m - 7400 kg 6,8 m - 5200 kg 8,8 m - 4000 kg 11,0 m - 3150 kg
Outreach-lifting capacity (ADC), manual extensions		
Outreach-lifting capacity, standard (1)	2,9 m - 11300 kg 4,5 m - 7600 kg 6,4 m - 5400 kg 8,4 m - 4050 kg	2,9 m - 11100 kg 4,9 m - 6800 kg 6,8 m - 4800 kg 8,8 m - 3700 kg 11,0 m - 2900 kg
Rec. oil flow (2)	60 - 75 l./min.	60 - 75 l./min.
Working pressure	32,0 MPa	32,0 MPa
Power needed at rec. oil flow	32 - 40 kW	32 - 40 kW
Slewing angle	400 °	400 °
Max. Slope viable at full capacity	5,3 °	5,3 °
Height in folded position	2404 mm	2503 mm
Width in folded position	2500 mm	2500 mm
Installation space needed (4)	1471 mm / 1617 mm	1471 mm / 1617 mm
Weights:		
Crane in standard version without support legs	3630 kg	3890 kg
Weight of 1 manual		
Weight of 2 manual		
Frame attachments	117 kg	117 kg
Support leg equipment 8m span (5)	780 - 830 kg	780 - 830 kg
Support leg equipment 7m span (6)	650 - 670 kg	650 - 670 kg
Support leg equipment 6.5 m span (7)	620 - 690 kg	620 - 690 kg
Tank incl. Oil	185 kg	185 kg

We reserve the right to introduce changes in design
Designed and strength calculated in accordance with EN 13001 and EN 12999

- 1) Hook on extension –2 (Standard hook 12 t)
- 2) V80H
- 4) Without / with external functions (tools)
- 5) Support legs spread 8 m. (min-max)
- 6) Support legs spread 7 m. (min-max)
- 7) Support legs spread 6.5 m. (min-max)

HIAB 422 EP-4 DUO	HIAB 422 EP-5 DUO
349 kNm (35,6 tm)	344 kNm (35,1 tm)
323 kNm (32,9 tm)	318 kNm (32,4 tm)
13,2 m	15,4 m
8,4 m	10,6 m
15,9 m /	18,1 m /
12000 kg	12000 kg
2,8 m - 12000 kg	2,8 m - 12000 kg
4,9 m - 7300 kg	4,9 m - 7200 kg
6,8 m - 5100 kg	6,8 m - 4950 kg
8,8 m - 3850 kg	8,8 m - 3700 kg
11,0 m - 3000 kg	11,0 m - 2880 kg
13,2 m - 2500 kg	13,2 m - 2360 kg
	15,4 m - 2020 kg
2,8 m - 11300 kg	2,8 m - 11100 kg
4,9 m - 6700 kg	4,9 m - 6600 kg
6,8 m - 4700 kg	6,8 m - 4550 kg
8,8 m - 3550 kg	8,8 m - 3400 kg
11,0 m - 2740 kg	11,0 m - 2620 kg
13,2 m - 2280 kg	13,2 m - 2140 kg
	15,4 m - 1840 kg
60 - 75 l./min.	60 - 75 l./min.
32,0 MPa	32,0 MPa
32 - 40 kW	32 - 40 kW
400 °	400 °
5,3 °	5,2 °
2503 mm	2503 mm
2500 mm	2500 mm
1471 mm / 1617 mm	1471 mm / 1617 mm
4100 kg	4370 kg
117 kg	117 kg
780 - 830 kg	780 - 830 kg
650 - 670 kg	650 - 670 kg
620 - 690 kg	620 - 690 kg
185 kg	185 kg

We reserve the right to introduce changes in design
 Designed and strength calculated in accordance with EN 13001 and EN 12999

- 1) Hook on extension -2 (Standard hook 12 t)
- 2) V80H
- 4) Without / with external functions (tools)
- 5) Support legs spread 8 m. (min-max)
- 6) Support legs spread 7 m. (min-max)
- 7) Support legs spread 6.5 m. (min-max)



HIAB 422 E DUO

TECHNICAL DATA	HIAB 422 E-4 DUO	HIAB 422 E-5 DUO
Lifting capacity (ADC), max.	337 kNm (35,4 tm)	341 kNm (34,8 tm)
Lifting capacity, max.	321 kNm (32,7 tm)	315 kNm (32,1 tm)
Hydraulic outreach, standard	11,7 m	14,3 m
Hydraulic boom extension	7,4 m	9,5 m
Outreach, manual extension	14,3 m	16,5 m
Lifting height above installation level, hydr/man	14,4 m / 16,8 m	17,0 m / 19,0 m
Standard Hook Capacity	12000 kg	12000 kg
Outreach-lifting capacity (ADC), standard (1)	2,8 m - 12000 kg 4,4 m - 8000 kg 6,0 m - 5800 kg 7,8 m - 4350 kg 9,7 m - 3400 kg 11,7 m - 2820 kg	2,8 m - 12000 kg 4,9 m - 7100 kg 6,5 m - 5100 kg 8,3 m - 3850 kg 10,2 m - 3050 kg 12,2 m - 2480 kg 14,3 m - 2100 kg
Outreach-lifting capacity (ADC), manual extensions	14,3 m - 2200 kg	16,5 m - 1740 kg
Outreach-lifting capacity, standard (1)	2,8 m - 11300 kg 4,4 m - 7400 kg 6,0 m - 5300 kg 7,8 m - 4000 kg 9,7 m - 3100 kg 11,7 m - 2580 kg	2,8 m - 11000 kg 4,9 m - 6500 kg 6,5 m - 4700 kg 8,3 m - 3500 kg 10,2 m - 2780 kg 12,2 m - 2240 kg 14,3 m - 1900 kg
Rec. oil flow (2)	60 - 75 l./min.	60 - 75 l./min.
Working pressure	32,0 MPa	32,0 MPa
Power needed at rec. oil flow	32 - 40 kW	32 - 40 kW
Slewing angle	400 °	400 °
Max. Slope viable at full capacity	5,3 °	5,3 °
Height in folded position	2404 mm	2404 mm
Width in folded position	2500 mm	2500 mm
Installation space needed (4)	1493 mm / 1568 mm	1493 mm / 1568 mm
Weights:		
Crane in standard version without support legs	4090 kg	4340 kg
Weight of 1 manual	130 kg	87 kg
Weight of 2 manual		
Frame attachments	117 kg	117 kg
Support leg equipment 8m span (5)	780 - 830 kg	780 - 830 kg
Support leg equipment 7m span (6)	650 - 670 kg	650 - 670 kg
Support leg equipment 6.5 m span (7)	620 - 690 kg	620 - 690 kg
Tank incl. Oil	185 kg	185 kg

We reserve the right to introduce changes in design
Designed and strength calculated in accordance with EN 13001 and EN 12999

- 1) Hook on extension –4 (Standard hook 12 t)
- 2) V80H
- 3) With refeeding valve
- 4) Without / with external functions (tools)
- 5) Support legs spread 8 m. (min-max)
- 6) Support legs spread 7 m. (min-max)
- 7) Support legs spread 6.5 m. (min-max)

HIAB 422 E-6 DUO	HIAB 422 E-7 DUO	HIAB 422 E-8 DUO
334 kNm (34,1 tm)	328 kNm (33,5 tm)	323 kNm (32,9 tm)
308 kNm (31,4 tm)	302 kNm (30,8 tm)	296 kNm (30,2 tm)
16,5 m	18,7 m	20,8 m
11,7 m	13,9 m	16,1 m
20,2 m	22,7 m	23,0 m
19,2 m / 22,7 m	21,4 m / 25,2 m	23,5 m / 25,5 m
12000 kg	12000 kg	12000 kg
2,7 m - 12000 kg	2,7 m - 12000 kg	2,6 m - 12000 kg
4,9 m - 7000 kg	4,9 m - 6800 kg	4,8 m - 6800 kg
6,5 m - 5000 kg	6,5 m - 4850 kg	6,4 m - 4800 kg
8,4 m - 3650 kg	8,4 m - 3500 kg	8,2 m - 3500 kg
10,2 m - 2860 kg	10,2 m - 2720 kg	10,1 m - 2620 kg
12,2 m - 2300 kg	12,2 m - 2140 kg	12,1 m - 2040 kg
14,3 m - 1920 kg	14,3 m - 1760 kg	14,2 m - 1640 kg
16,5 m - 1640 kg	16,5 m - 1480 kg	16,4 m - 1360 kg
	18,7 m - 1280 kg	18,6 m - 1160 kg
		20,8 m - 1020 kg
18,4 m - 1400 kg	20,5 m - 1100 kg	23,0 m - 860 kg
20,2 m - 1200 kg	22,7 m - 940 kg	
2,7 m - 11200 kg	2,7 m - 11100 kg	2,6 m - 11300 kg
4,9 m - 6400 kg	4,9 m - 6200 kg	4,8 m - 6200 kg
6,5 m - 4600 kg	6,5 m - 4450 kg	6,4 m - 4350 kg
8,4 m - 3300 kg	8,4 m - 3150 kg	8,2 m - 3150 kg
10,2 m - 2580 kg	10,2 m - 2440 kg	10,1 m - 2340 kg
12,2 m - 2060 kg	12,2 m - 1900 kg	12,1 m - 1800 kg
14,3 m - 1720 kg	14,3 m - 1560 kg	14,2 m - 1440 kg
16,5 m - 1460 kg	16,5 m - 1300 kg	16,4 m - 1180 kg
	18,7 m - 1120 kg	18,6 m - 1000 kg
		20,8 m - 880 kg
60 - 75 l./min.	60 - 75 l./min.	60 - 75 l./min.
32,0 MPa	32,0 MPa	32,0 MPa
32 - 40 kW	32 - 40 kW	32 - 40 kW
400 °	400 °	400 °
5,2 °	5,2 °	5,2 °
2404 mm	2404 mm	2490 mm
2500 mm	2500 mm	2500 mm
1493 mm / 1568 mm	1493 mm / 1612 mm	1493 mm / 1612 mm
4530 kg	4690 kg	4830 kg
79 kg	77 kg	58 kg
155 kg	132 kg	
117 kg	117 kg	117 kg
780 - 830 kg	780 - 830 kg	780 - 830 kg
650 - 670 kg	650 - 670 kg	650 - 670 kg
620 - 690 kg	620 - 690 kg	620 - 690 kg
185 kg	185 kg	185 kg

We reserve the right to introduce changes in design
Designed and strength calculated in accordance with EN 13001 and EN 12999

- 1) Hook on extension -4 (Standard hook 12 t)
- 2) V80H
- 3) With refeeding valve
- 4) Without / with external functions (tools)
- 5) Support legs spread 8 m. (min-max)
- 6) Support legs spread 7 m. (min-max)
- 7) Support legs spread 6.5 m. (min-max)

HIAB 422 EP CLX

TECHNICAL DATA	HIAB 422 EP-2 CLX	HIAB 422 EP-3 CLX
Lifting capacity, max.	362 kNm (37,0 tm)	355 kNm (36,2 tm)
Hydraulic outreach, standard	8,4 m	11,0 m
Hydraulic boom extension	4,0 m	6,2 m
Lifting height above installation level, hydr/man	11,1 m /	13,7 m /
Standard Hook Capacity	12000 kg	12000 kg
Outreach-lifting capacity, standard (1)	2,9 m - 12000 kg 4,5 m - 8200 kg 6,4 m - 5800 kg 8,4 m - 4400 kg	2,9 m - 12000 kg 4,9 m - 7400 kg 6,8 m - 5200 kg 8,8 m - 4000 kg 11,0 m - 3150 kg
Rec. oil flow (2)	60 - 75 l./min.	60 - 75 l./min.
Working pressure	32,0 MPa	32,0 MPa
Power needed at rec. oil flow	32 - 40 kW	32 - 40 kW
Slewing angle	400 °	400 °
Max. Slope viable at full capacity	5,3 °	5,3 °
Height in folded position	2404 mm	2503 mm
Width in folded position	2500 mm	2500 mm
Installation space needed (3)	1471 mm / 1617 mm	1471 mm / 1617 mm
Weights:		
Crane in standard version without support legs	3630 kg	3890 kg
Frame attachments	117 kg	117 kg
Support leg equipment 8m span (4)	780 - 830 kg	780 - 830 kg
Support leg equipment 7m span (5)	650 - 670 kg	650 - 670 kg
Support leg equipment 6.5 m span (6)	620 - 690 kg	620 - 690 kg
Tank incl. Oil	185 kg	185 kg

Designed and strength calculated in accordance with EN 13001 and EN 12999

- 1) Hook on extension –2 (Standard hook 12 t)
- 2) V80H
- 3) Without / with external functions (tools)
- 4) Support legs spread 8 m. (min-max)
- 5) Support legs spread 7 m. (min-max)
- 6) Support legs spread 6.5 m. (min-max)

HIAB 422 EP-4 CLX	HIAB 422 EP-5 CLX
349 kNm (35,6 tm)	344 kNm (35,1 tm)
13,2 m	15,4 m
8,4 m	10,6 m
15,9 m /	18,1 m /
12000 kg	12000 kg
2,8 m - 12000 kg	2,8 m - 12000 kg
4,9 m - 7300 kg	4,9 m - 7200 kg
6,8 m - 5100 kg	6,8 m - 4950 kg
8,8 m - 3850 kg	8,8 m - 3700 kg
11,0 m - 3000 kg	11,0 m - 2880 kg
13,2 m - 2500 kg	13,2 m - 2360 kg
	15,4 m - 2020 kg
60 - 75 l./min.	60 - 75 l./min.
32,0 MPa	32,0 MPa
32 - 40 kW	32 - 40 kW
400 °	400 °
5,3 °	5,2 °
2503 mm	2503 mm
2500 mm	2500 mm
1471 mm / 1617 mm	1471 mm / 1617 mm
4100 kg	4370 kg
117 kg	117 kg
780 - 830 kg	780 - 830 kg
650 - 670 kg	650 - 670 kg
620 - 690 kg	620 - 690 kg
185 kg	185 kg

Designed and strength calculated in accordance with EN 13001 and EN 12999

- 1) Hook on extension -2 (Standard hook 12 t)
- 2) V80H
- 3) Without / with external functions (tools)
- 4) Support legs spread 8 m. (min-max)
- 5) Support legs spread 7 m. (min-max)
- 6) Support legs spread 6.5 m. (min-max)

HIAB 422 E-5 + JIB

TECHNICAL DATA	HIAB 422 E-5 HIPRO JIB 100X-2.3	HIAB 422 E-5 HIPRO JIB 100X-3.3
Hydraulic outreach	19,8 m	21,3 m
Jib Lifting Height at standard 45 deg	12,4 m	12,4 m
Jib Lifting Height at standard 70 deg	15,9 m	15,9 m
Lifting height above installation level, hydr/man	22,4 m /	23,9 m /
Outreach - lifting capacity, hydraulic extension, horizontal	17,1 m - 1280 kg 18,3 m - 1180 kg 19,7 m - 1100 kg	17,1 m - 1200 kg 18,3 m - 1100 kg 19,7 m - 1020 kg 21,2 m - 93 0 kg
Outreach - lifting capacity, hydraulic extension, 45 deg	13,0 m - 1940 kg 14,2 m - 1760 kg 15,6 m - 1580 kg	13,0 m - 1860 kg 14,2 m - 1660 kg 15,6 m - 1500 kg 17,1 m - 1200 kg
Outreach - lifting capacity, hydraulic extension, 70 deg	7,7 m - 3250 kg 8,9 m - 2220 kg 10,3 m - 1600 kg	7,7 m - 3200 kg 8,9 m - 2160 kg 10,3 m - 1540 kg 11,8 m - 1180 kg
Weight Jib (1)	870 kg	950 kg
Weight crane with jib (1)	5220 kg	5300 kg
Weight winch TC1 on jib		

HIAB 422 E-5 HIPRO JIB 100X-4	HIAB 422 E-5 HIPRO JIB 100X-5
22,2 m	23,7 m
12,4 m	12,4 m
15,9 m	15,9 m
24,9 m /	26,4 m /
17,0 m - 1140 kg	17,0 m - 1080 kg
18,0 m - 1060 kg	18,0 m - 990 kg
19,3 m - 960 kg	19,3 m - 890 kg
20,6 m - 890 kg	20,6 m - 820 kg
22,1 m - 820 kg	22,1 m - 750 kg
	23,6 m - 700 kg
12,9 m - 1800 kg	12,9 m - 1740 kg
13,9 m - 1640 kg	13,9 m - 1580 kg
15,2 m - 1480 kg	15,2 m - 1400 kg
16,5 m - 1260 kg	16,5 m - 1200 kg
18,0 m - 1000 kg	18,0 m - 940 kg
	19,5 m - 780 kg
7,6 m - 3300 kg	7,6 m - 3250 kg
8,6 m - 2300 kg	8,6 m - 2240 kg
9,9 m - 1620 kg	9,9 m - 1560 kg
11,2 m - 1240 kg	11,2 m - 1180 kg
12,7 m - 980 kg	12,7 m - 920 kg
	14,2 m - 760 kg
1030 kg	1100 kg
5380 kg	5450 kg

HIAB 422 E-6 + JIB

TECHNICAL DATA	HIAB 422 E-6 HIPRO JIB 100X-2.3	HIAB 422 E-6 HIPRO JIB 100X-3.3
Hydraulic outreach	22,0 m	23,5 m
Jib Lifting Height at standard 45 deg	13,9 m	13,9 m
Jib Lifting Height at standard 70 deg	17,9 m	17,9 m
Lifting height above installation level, hydr/man	24,6 m /	26,1 m /
Outreach - lifting capacity, hydraulic extension, horizontal	19,3 m - 900 kg	19,3 m - 810 kg
	20,5 m - 830 kg	20,5 m - 750 kg
	21,9 m - 770 kg	21,9 m - 690 kg
		23,4 m - 640 kg
Outreach - lifting capacity, hydraulic extension, 45 deg	14,5 m - 1520 kg	14,5 m - 1420 kg
	15,7 m - 1380 kg	15,7 m - 1300 kg
	17,1 m - 1260 kg	17,1 m - 1180 kg
		18,7 m - 1040 kg
Outreach - lifting capacity, hydraulic extension, 70 deg	8,4 m - 3050 kg	8,4 m - 2980 kg
	9,6 m - 2220 kg	9,6 m - 2120 kg
	11,0 m - 1660 kg	11,0 m - 1560 kg
		12,6 m - 1180 kg
Weight Jib (1)	870 kg	950 kg
Weight crane with jib (1)	5410 kg	5490 kg
Weight winch TC1 on jib		



HIAB 422 E-6 + JIB

HIAB 422 E-6 HIPRO JIB 100X-4	HIAB 422 E-6 HIPRO JIB 100X-5
24,4 m	25,9 m
13,9 m	13,9 m
17,9 m	17,9 m
27,1 m /	28,6 m /
19,2 m - 750 kg	19,2 m - 680 kg
20,2 m - 690 kg	20,2 m - 620 kg
21,5 m - 630 kg	21,5 m - 560 kg
22,8 m - 580 kg	22,8 m - 510 kg
24,3 m - 540 kg	24,3 m - 470 kg
	25,8 m - 440 kg
14,5 m - 1360 kg	14,5 m - 1300 kg
15,5 m - 1240 kg	15,5 m - 1180 kg
16,8 m - 1120 kg	16,8 m - 1060 kg
18,1 m - 1040 kg	18,1 m - 960 kg
19,6 m - 860 kg	19,6 m - 800 kg
	21,1 m - 680 kg
8,3 m - 3000 kg	8,3 m - 2960 kg
9,4 m - 2180 kg	9,4 m - 2120 kg
10,6 m - 1640 kg	10,6 m - 1580 kg
12,0 m - 1220 kg	12,0 m - 1160 kg
13,5 m - 970 kg	13,5 m - 910 kg
	15,0 m - 750 kg
1030 kg	1100 kg
5570 kg	5640 kg

HIAB 422 E-7 + JIB

HIAB 422 E-7 HIPRO JIB 75X-3	HIAB 422 E-7 HIPRO JIB 75X-4
25,8 m	27,6 m
15,5 m	15,5 m
20,1 m	20,1 m
28,5 m /	30,3 m /
21,3 m - 670 kg	21,4 m - 600 kg
22,6 m - 620 kg	22,7 m - 550 kg
24,1 m - 570 kg	24,2 m - 500 kg
25,7 m - 530 kg	25,8 m - 460 kg
	27,5 m - 430 kg
15,9 m - 1260 kg	16,0 m - 1180 kg
17,2 m - 1140 kg	17,3 m - 1060 kg
18,7 m - 1040 kg	18,8 m - 960 kg
20,3 m - 880 kg	20,4 m - 800 kg
	22,1 m - 660 kg
9,0 m - 2600 kg	9,1 m - 2480 kg
10,3 m - 1820 kg	10,4 m - 1720 kg
11,8 m - 1280 kg	11,8 m - 1240 kg
13,4 m - 970 kg	13,5 m - 900 kg
	15,2 m - 710 kg
930 kg	1000 kg
5630 kg	5700 kg

NOTES

A series of horizontal dotted lines for writing notes.

NOTES

A series of horizontal dotted lines for writing notes.

NOTES

A series of horizontal dotted lines for writing notes.



Hiab is part of Cargotec Corporation

